



VITREOUS CHINA

TOILET  
21-514

LAVATORIES

TOILETS

BIDETS / URINALS

CAST IRON

# VIPER™ Elongated Toilet

14" Rough-in



## Features:

- Low Consumption 1.6 gpf (6.0 Lpf)
- Elongated Bowl
- Slim Line Tank
- Fluidmaster® Fill Valve HP-2 Technology
- Glazed Trapway
- Reverse Trap
- Dual Feed Jet
- Front Tank Lever
- Various Colors
- 2 Bolt Caps

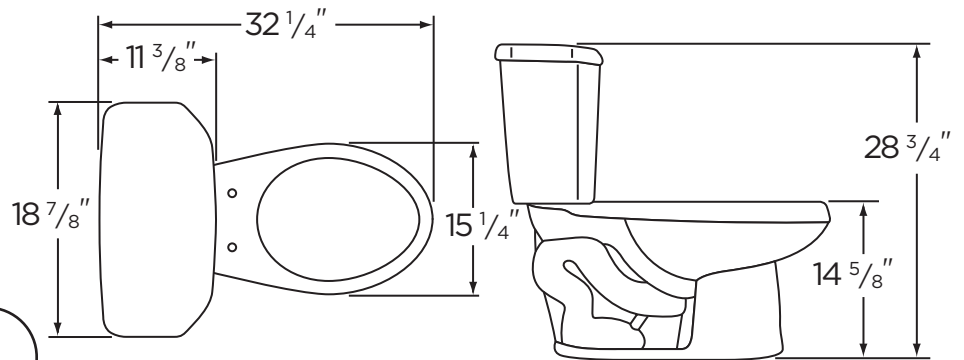


## Dimensions:

- Height.....28 3/4"
- Width.....18 7/8"
- Depth.....32 1/4"
- Rough-in.....14"
- Water Surface from Rim ....5 1/4"
- Trapway (min).....2"
- Water Surface ..... 10 1/2" x 8 3/4"
- Water Seal.....2 1/8"
- Shipping Weight ..... 96 lbs

**Specifications:** Bowl—#21-562 Elongated Bowl  
Seat not included

Tank—#28-594



THIS FIXTURE QUALIFIES  
ACCORDING TO ASME TEST  
PROCEDURES AS A LOW  
CONSUMPTION WATER CLOSET  
WITH AN AVERAGE CONSUMPTION  
OF 1.6 GAL. OR LESS.



www.gerberonline.com

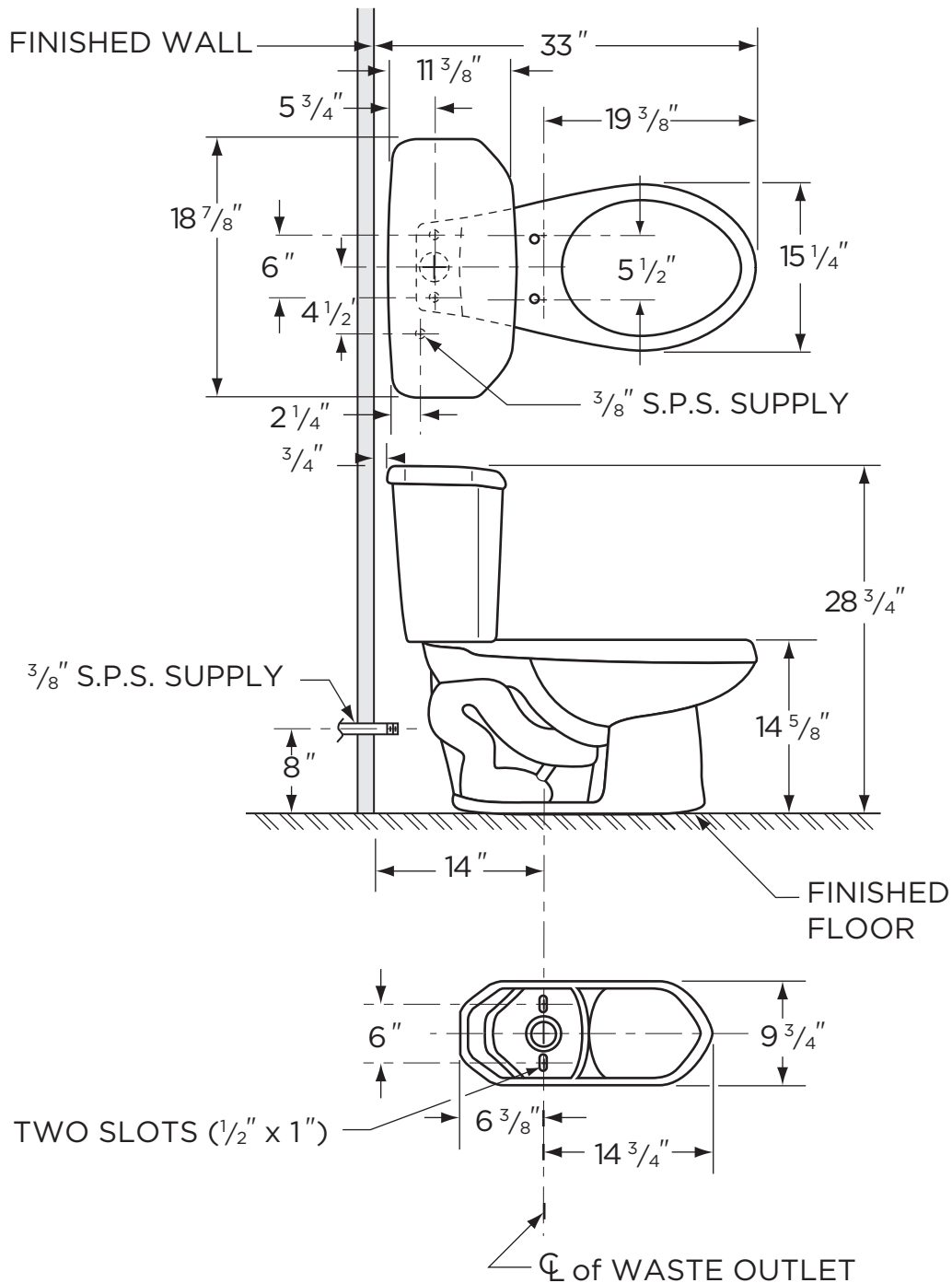
|                    |  |
|--------------------|--|
| Job Name           |  |
| Date               |  |
| Model Specified    |  |
| Quantity           |  |
| Customer           |  |
| Contractor         |  |
| Architect/engineer |  |



# 1.6 gpf (6 Lpf) LOW CONSUMPTION VIPER™ TOILET

21-514

Elongated, 14" Rough-in  
(Bowl 21-562 with Tank 28-594)



NOTES:  
All dimensions are in inches.

Illustrations may not be drawn  
to scale.

### IMPORTANT:

Dimensions of fixtures are nominal and may vary  
within the range of tolerances established by ASME  
Standard A 112.19.2.

THIS FIXTURE QUALIFIES ACCORDING TO ASME  
TEST PROCEDURES AS A LOW CONSUMPTION  
WATER CLOSET WITH AN AVERAGE CONSUMPTION  
OF 1.6 gpf (6 Lpf) OR LESS.