



VITREOUS CHINA

TOILET
21-512

LAVATORIES

TOILETS

BIDETS / URINALS

CAST IRON

VIPER™ Elongated Toilet

12" Rough-in



Features:

- Low Consumption 1.6 gpf (6.0 Lpf)
- Elongated Bowl
- Slim Line Tank
- Fluidmaster® Fill Valve HP-2 Technology
- Optional Right-handed Trip Lever available (28-590-97)
- Optional locking lid tank available (28-590-LL)
- Glazed Trapway
- Reverse Trap
- Dual Feed Jet
- Front Tank Lever
- 2 Bolt Caps

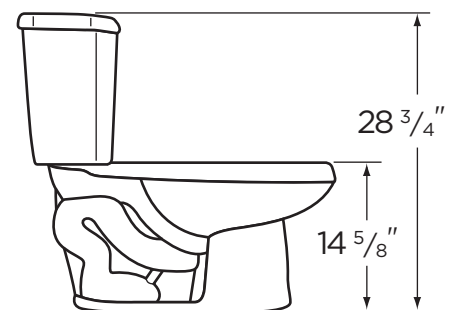
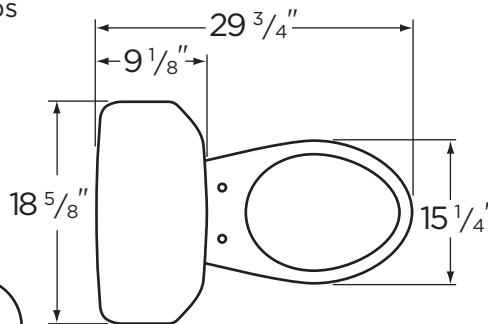


Dimensions:

- Height.....28 5/8"
- Width.....18 5/8"
- Depth.....29 3/4"
- Rough-in.....12"
- Water Surface from Rim5 1/4"
- Trapway (min).....2"
- Water Surface10 1/2" x 8 3/4"
- Water Seal.....2 1/8"
- Shipping Weight88 lbs

Specifications: Bowl—#21-562 Elongated Bowl
Seat not included

Tank—#28-590



THIS FIXTURE QUALIFIES
ACCORDING TO ASME TEST
PROCEDURES AS A LOW
CONSUMPTION WATER CLOSET
WITH AN AVERAGE CONSUMPTION
OF 1.6 GAL. OR LESS.



www.gerberonline.com

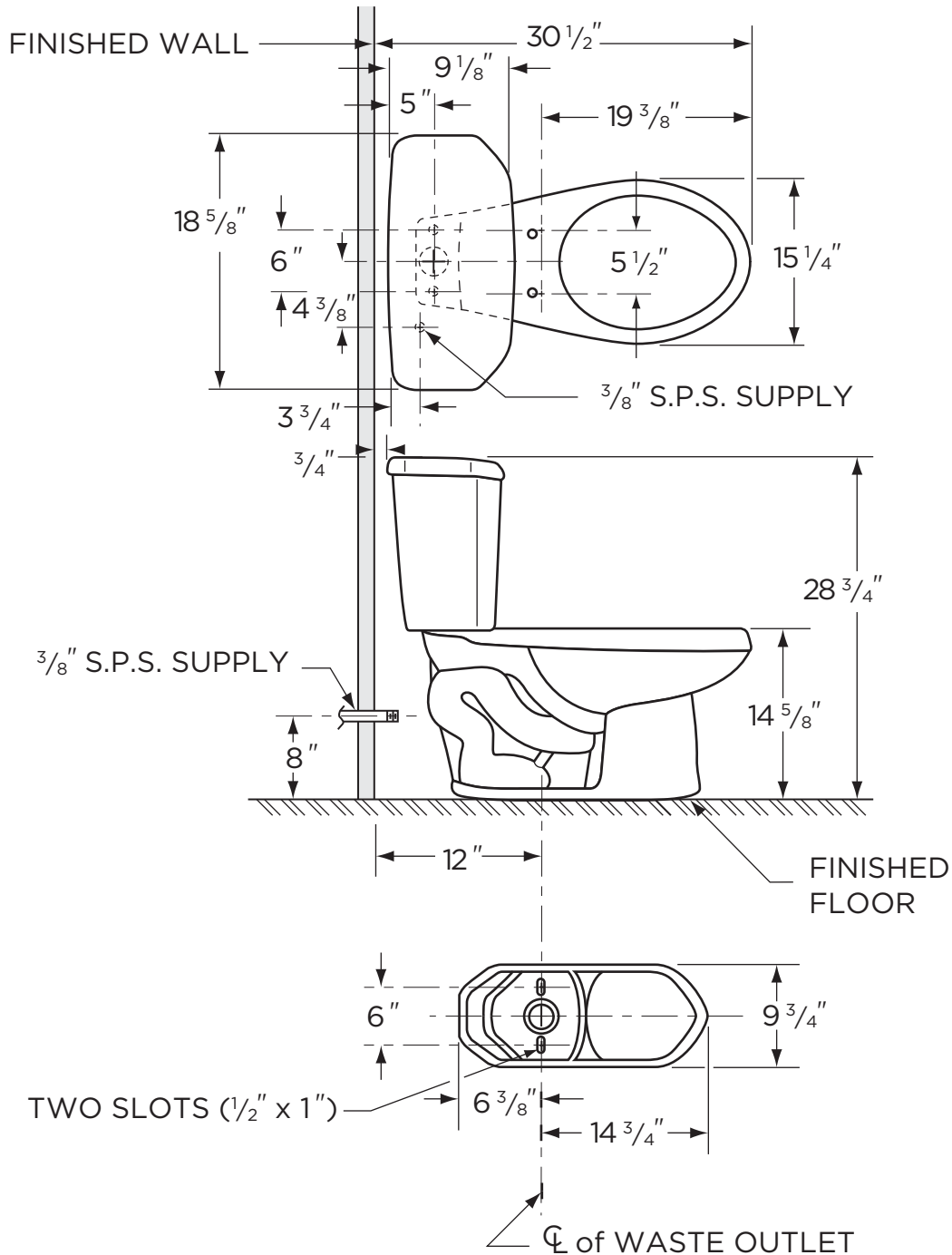
| | |
|--------------------|--|
| Job Name | |
| Date | |
| Model Specified | |
| Quantity | |
| Customer | |
| Contractor | |
| Architect/engineer | |



1.6 gpf (6 Lpf) LOW CONSUMPTION VIPER™ TOILET

21-512

Elongated, 12" Rough-in
(Bowl 21-562 with Tank 28-590)



NOTES:
All dimensions are in inches.

Illustrations may not be drawn to scale.

IMPORTANT:

Dimensions of fixtures are nominal and may vary within the range of tolerances established by ASME Standard A 112.19.2.

THIS FIXTURE QUALIFIES ACCORDING TO ASME TEST PROCEDURES AS A LOW CONSUMPTION WATER CLOSET WITH AN AVERAGE CONSUMPTION OF 1.6 gpf (6 Lpf) OR LESS.