



VITREOUS CHINA

TOILET  
21-510

LAVATORIES

TOILETS

BIDETS / URINALS

CAST IRON

# VIPER™ Elongated Toilet

10" Rough-in



### Features:

- Low Consumption 1.6 gpf (6.0 Lpf)
- Elongated Bowl
- Slim Line Tank
- Fluidmaster® Fill Valve HP-2 Technology
- Optional Right-handed Trip Lever Available
- Glazed Trapway
- Reverse Trap
- Dual Feed Jet
- Front Tank Lever
- Various Colors
- 2 Bolt Caps

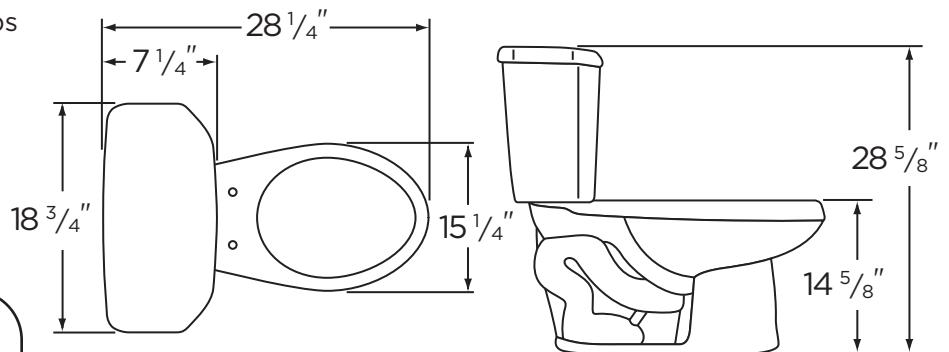


### Dimensions:

- Height .....28 5/8"
- Width .....18 3/4"
- Depth ..... 28 1/4"
- Rough-in .....10"
- Water Surface from Rim ....5 1/4"
- Trapway (min).....2"
- Water Surface ..... 10 1/2" x 8 3/4"
- Water Seal .....2 1/8"
- Shipping Weight ..... 84 lbs

**Specifications:** Bowl—#21-562 Elongated Bowl  
Seat not included

Tank—#28-595



THIS FIXTURE QUALIFIES  
ACCORDING TO ASME TEST  
PROCEDURES AS A LOW  
CONSUMPTION WATER CLOSET  
WITH AN AVERAGE CONSUMPTION  
OF 1.6 GAL. OR LESS.



www.gerberonline.com

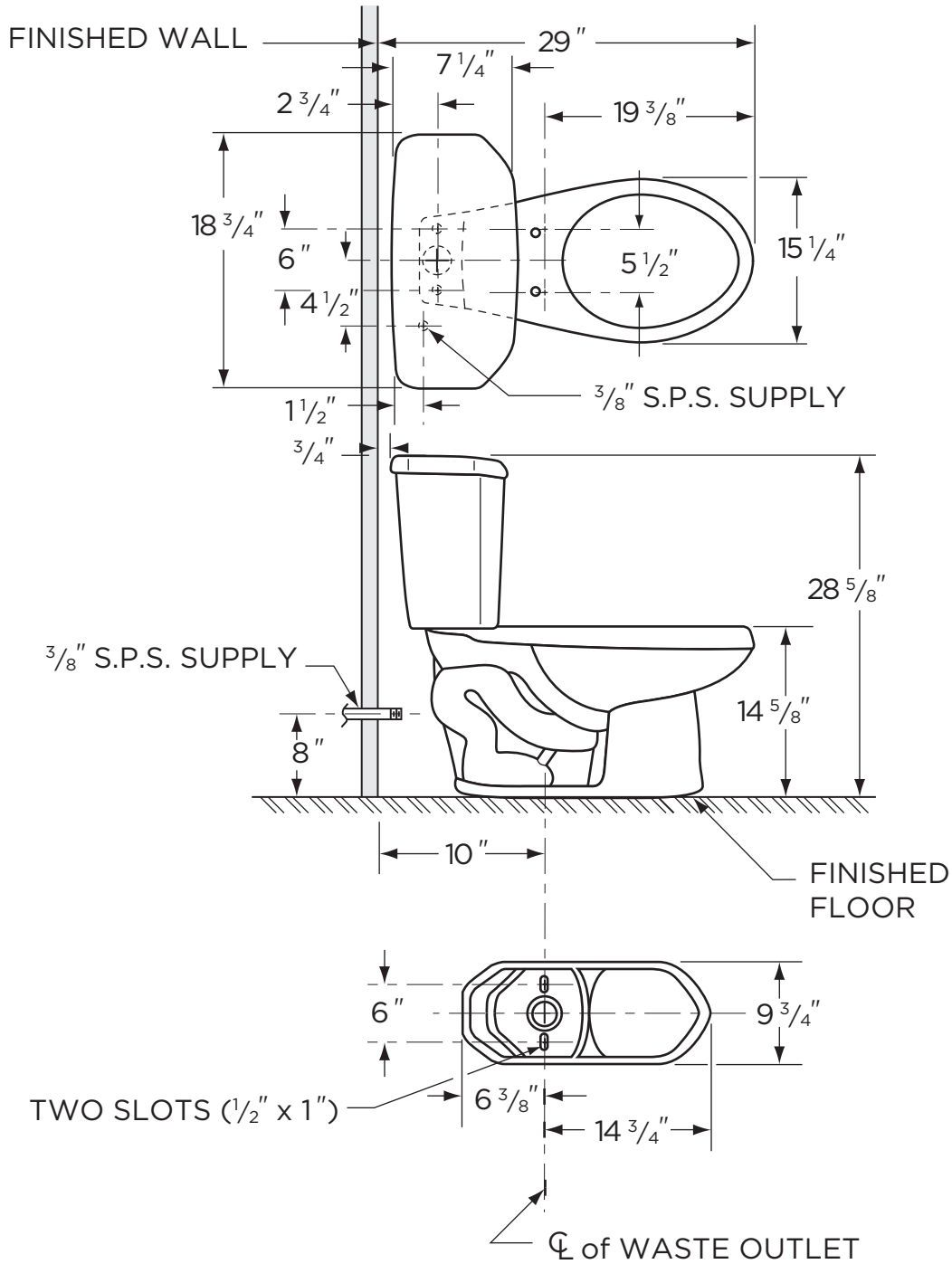
Job Name	
Date	
Model Specified	
Quantity	
Customer	
Contractor	
Architect/engineer	



# 1.6 gpf (6 Lpf) LOW CONSUMPTION VIPER™ TOILET

21-510

Elongated, 10" Rough-in  
(Bowl 21-562 with Tank 28-595)



NOTES:  
All dimensions are in inches.  
Illustrations may not be drawn to scale.

IMPORTANT:  
Dimensions of fixtures are nominal and may vary within the range of tolerances established by ASME Standard A 112.19.2.  
THIS FIXTURE QUALIFIES ACCORDING TO ASME TEST PROCEDURES AS A LOW CONSUMPTION WATER CLOSET WITH AN AVERAGE CONSUMPTION OF 1.6 gpf (6 Lpf) OR LESS.