



VITREOUS CHINA

TOILET
21-502

LAVATORIES

TOILETS

BIDETS / URINALS

CAST IRON

VIPER™ Round Front Toilet

12" Rough-in



Features:

- Low Consumption 1.6 gpf (6.0 Lpf)
- Round Front Bowl
- Slim Line Tank
- Fluidmaster® Fill Valve HP-2 Technology
- Optional Right-handed Trip Lever Available
- Glazed Trapway
- Reverse Trap
- Dual Feed Jet
- Front Tank Lever
- Various Colors
- 2 Bolt Caps

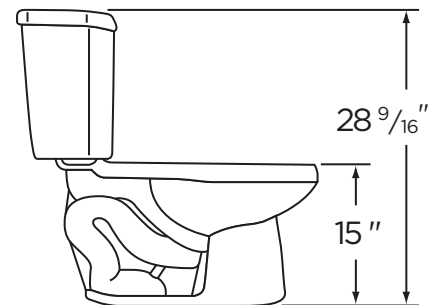
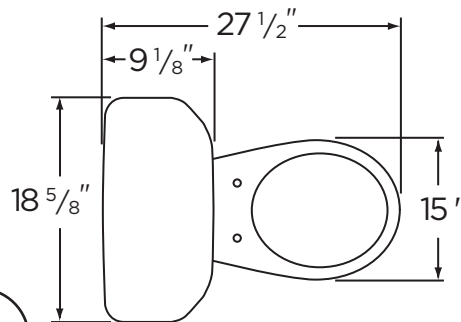
Dimensions:

- Height28 9/16"
- Width18 5/8"
- Depth27 1/2"
- Rough-in12"
- Water Surface from Rim5 1/4"
- Trapway (min).....2"
- Water Surface 10" x 8"
- Water Seal2 3/4"
- Shipping Weight86 lbs



Specifications: Bowl—#21-552 Round Front
Seat not included

Tank—#28-590



THIS FIXTURE QUALIFIES
ACCORDING TO ASME TEST
PROCEDURES AS A LOW
CONSUMPTION WATER CLOSET
WITH AN AVERAGE CONSUMPTION
OF 1.6 GAL. OR LESS.



www.gerberonline.com

Job Name	
Date	
Model Specified	
Quantity	
Customer	
Contractor	
Architect/engineer	

