



VITREOUS CHINA

TOILET  
21-414

LAVATORIES

TOILETS

BIDETS / URINALS

CAST IRON

# MAXWELL® Elongated Toilet

14" Rough-in



## Features:

- Low Consumption 1.6 gpf (6.0 Lpf)
- Elongated Bowl
- Slim Line Tank
- Glazed Trapway
- Reverse Trap
- Front Jet Flushing Action
- Front Tank Lever
- White, Bone, Biscuit
- 2 Bolt Caps

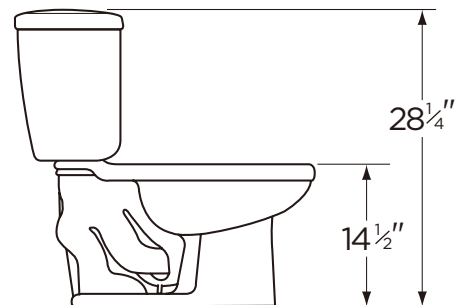
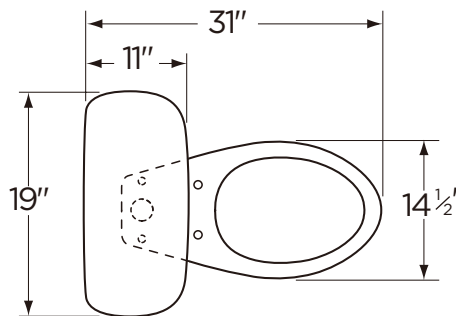
## Dimensions:

- Height ..... 28 1/4"
- Width ..... 19"
- Depth ..... 31"
- Rough-in ..... 14"
- Water Surface from Rim .... 5 1/4"
- Trapway (min)..... 2"
- Water Surface ..... 10 1/2" x 8 3/4"
- Water Seal ..... 2 1/4"
- Shipping Weight ..... 83 lbs



**Specifications:** Bowl—#21-762 Elongated  
Seat not included

Tank—#28-494



THIS FIXTURE QUALIFIES  
ACCORDING TO ASME TEST  
PROCEDURES AS A LOW  
CONSUMPTION WATER CLOSET  
WITH AN AVERAGE CONSUMPTION  
OF 1.6 GAL. OR LESS.



www.gerberonline.com

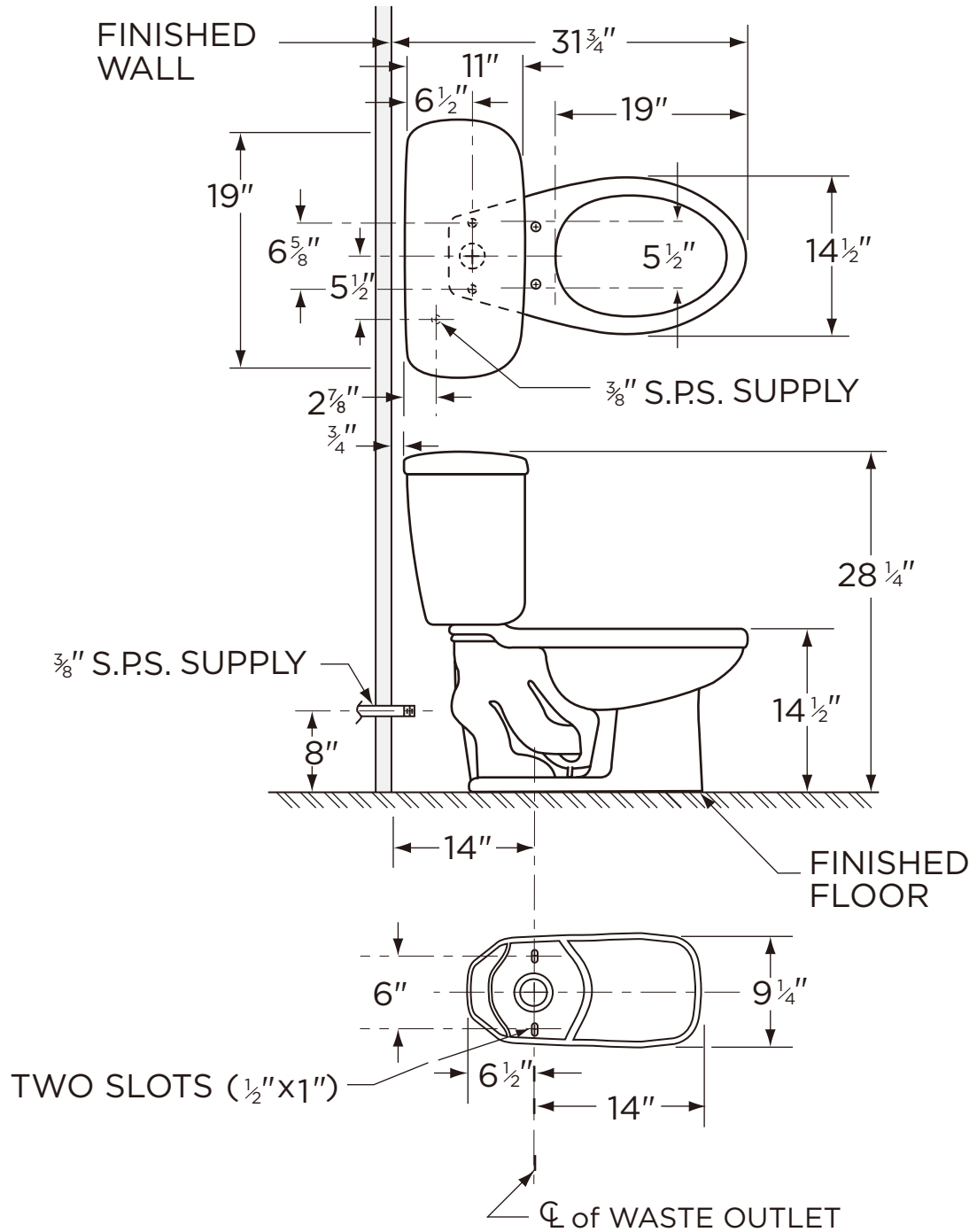
Job Name	
Date	
Model Specified	
Quantity	
Customer	
Contractor	
Architect/engineer	



1.6 gpf (6 Lpf) LOW CONSUMPTION MAXWELL® TOILET

21-414

Elongated, 14" Rough-in  
(Bowl 21-762 with Tank 28-494)



NOTES:  
All dimensions are in inches.

Illustrations may not be drawn  
to scale.

IMPORTANT:

Dimensions of fixtures are nominal and may vary  
within the range of tolerances established by ASME  
Standard A 112.19.2.

THIS FIXTURE QUALIFIES ACCORDING TO ASME  
TEST PROCEDURES AS A LOW CONSUMPTION  
WATER CLOSET WITH AN AVERAGE CONSUMPTION  
OF 1.6 gpf (6 Lpf) OR LESS.