



VITREOUS CHINA

TOILET
21-402

LAVATORIES

TOILETS

BIDETS / URINALS

CAST IRON

MAXWELL® Round Front Toilet

12" Rough-in



Features:

- Low Consumption 1.6 gpf (6.0 Lpf)
- Round Front Bowl
- Slim Line Tank
- Glazed Trapway
- Reverse Trap
- Front Jet Flushing Action
- Front Tank Lever
- White, Bone, Biscuit
- 2 Bolt Caps
- Optional insulated tank to minimize condensation (use tank #28-492)

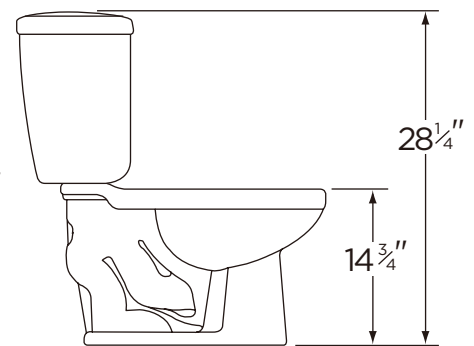
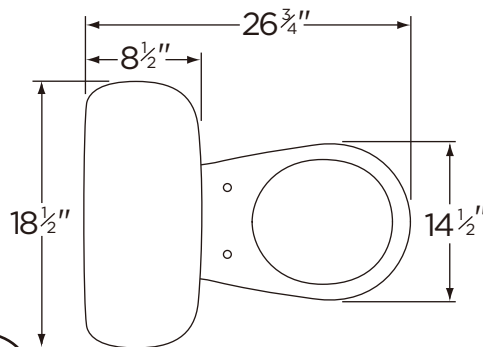


Dimensions:

- Height 28 1/4"
- Width 18 1/2"
- Depth 26 3/4"
- Rough-in 12"
- Water Surface from Rim ... 5 3/4"
- Trapway (min) 2"
- Water Surface 9 1/2" x 8"
- Water Seal 2 3/4"
- Shipping Weight 88 lbs

Specifications: Bowl—#21-752 Round Front
Seat not included

Tank—#28-490



THIS FIXTURE QUALIFIES ACCORDING TO ASME TEST PROCEDURES AS A LOW CONSUMPTION WATER CLOSET WITH AN AVERAGE CONSUMPTION OF 1.6 GAL. OR LESS.



www.gerberonline.com

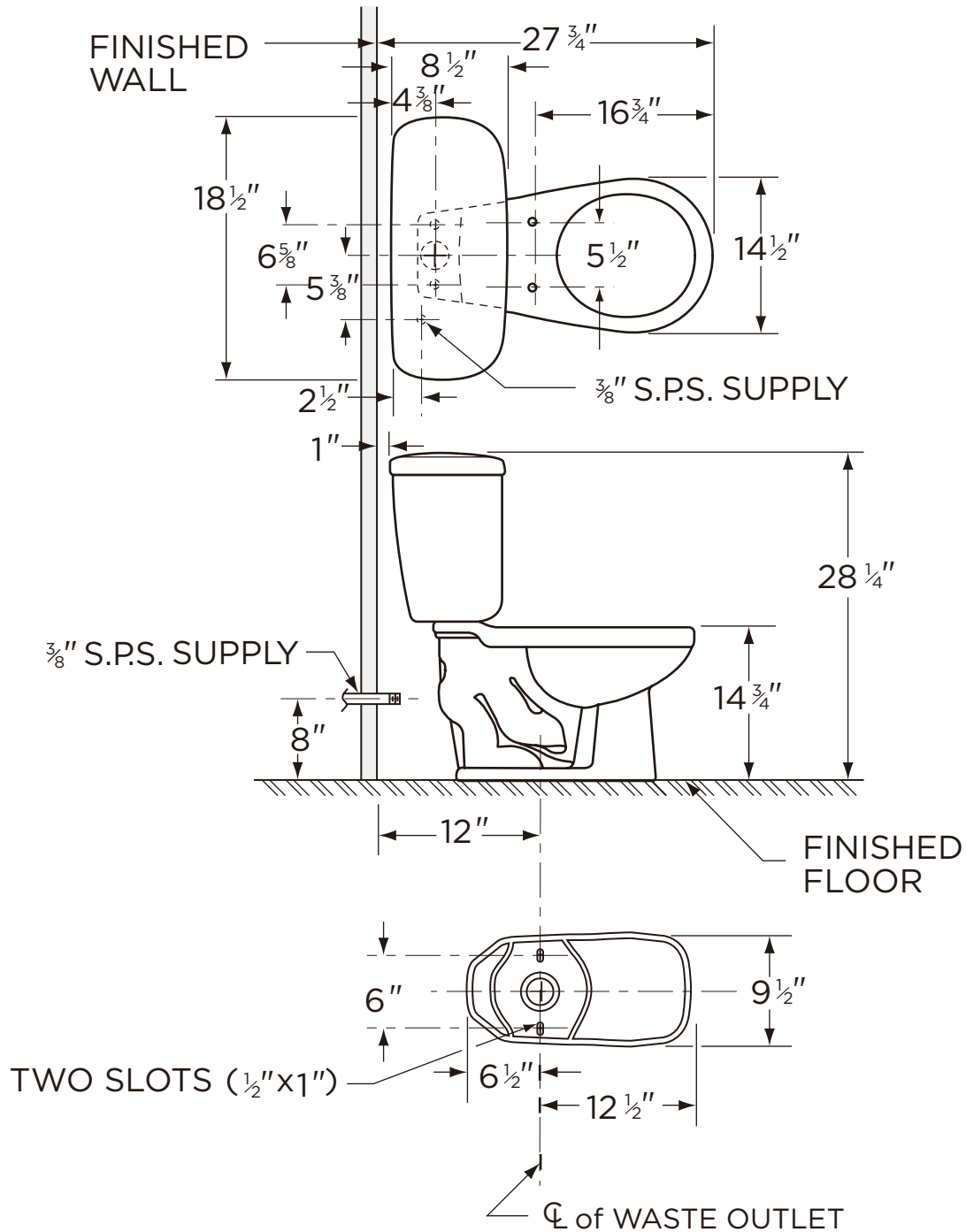
Job Name	
Date	
Model Specified	
Quantity	
Customer	
Contractor	
Architect/engineer	



1.6 gpf (6 Lpf) LOW CONSUMPTION MAXWELL® TOILET

21-402

Round Front, 12" Rough-in
(Bowl 21-752 with Tank 28-490)



NOTES:
All dimensions are in inches.
Illustrations may not be drawn to scale.

IMPORTANT:
Dimensions of fixtures are nominal and may vary within the range of tolerances established by ASME Standard A 112.19.2.
THIS FIXTURE QUALIFIES ACCORDING TO ASME TEST PROCEDURES AS A LOW CONSUMPTION WATER CLOSET WITH AN AVERAGE CONSUMPTION OF 1.6 gpf (6 Lpf) OR LESS.