



VITREOUS CHINA

TOILET
21-118

LAVATORIES

TOILETS

BIDETS / URINALS

CAST IRON



MAXWELL® LX ErgoHeight™ 16 1/2" High Elongated Toilet

12" Rough-in



Features:

- 1.6 gpf (6.0 Lpf)
- ADA, Elongated Front Bowl
- Glazed Trapway
- Reverse Trap
- Front Jet Flushing Action
- Front Tank Lever
- Available in White and Biscuit
- 2 Bolt Caps

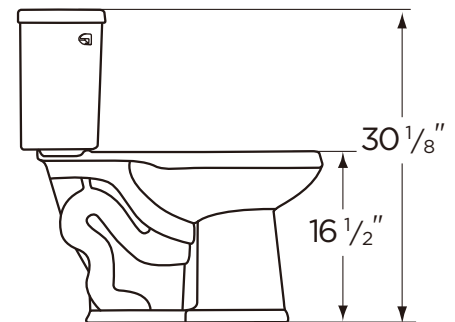
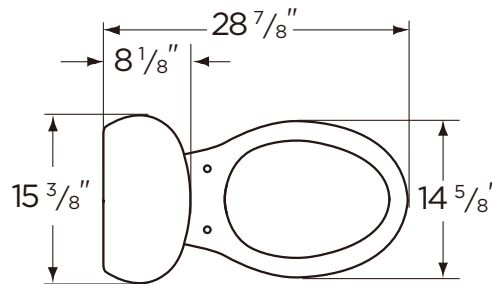
Dimensions:

- Height 30 1/8"
- Width 15 3/8"
- Depth 28 7/8"
- Rough-in 12"
- Water Surface from Rim 6"
- Trapway 1 3/4"
- Water Surface 10 3/8" X 7 3/4"
- Water Seal 2 1/4"
- Shipping Weight 70.5 lbs



Specifications: Bowl—#21-128 Elongated Bowl
Seat not included

Tank—#28-190



THIS FIXTURE QUALIFIES
ACCORDING TO ASME TEST
PROCEDURES AS A LOW
CONSUMPTION WATER CLOSET
WITH AN AVERAGE CONSUMPTION
OF 1.6 GAL. OR LESS.



www.gerberonline.com

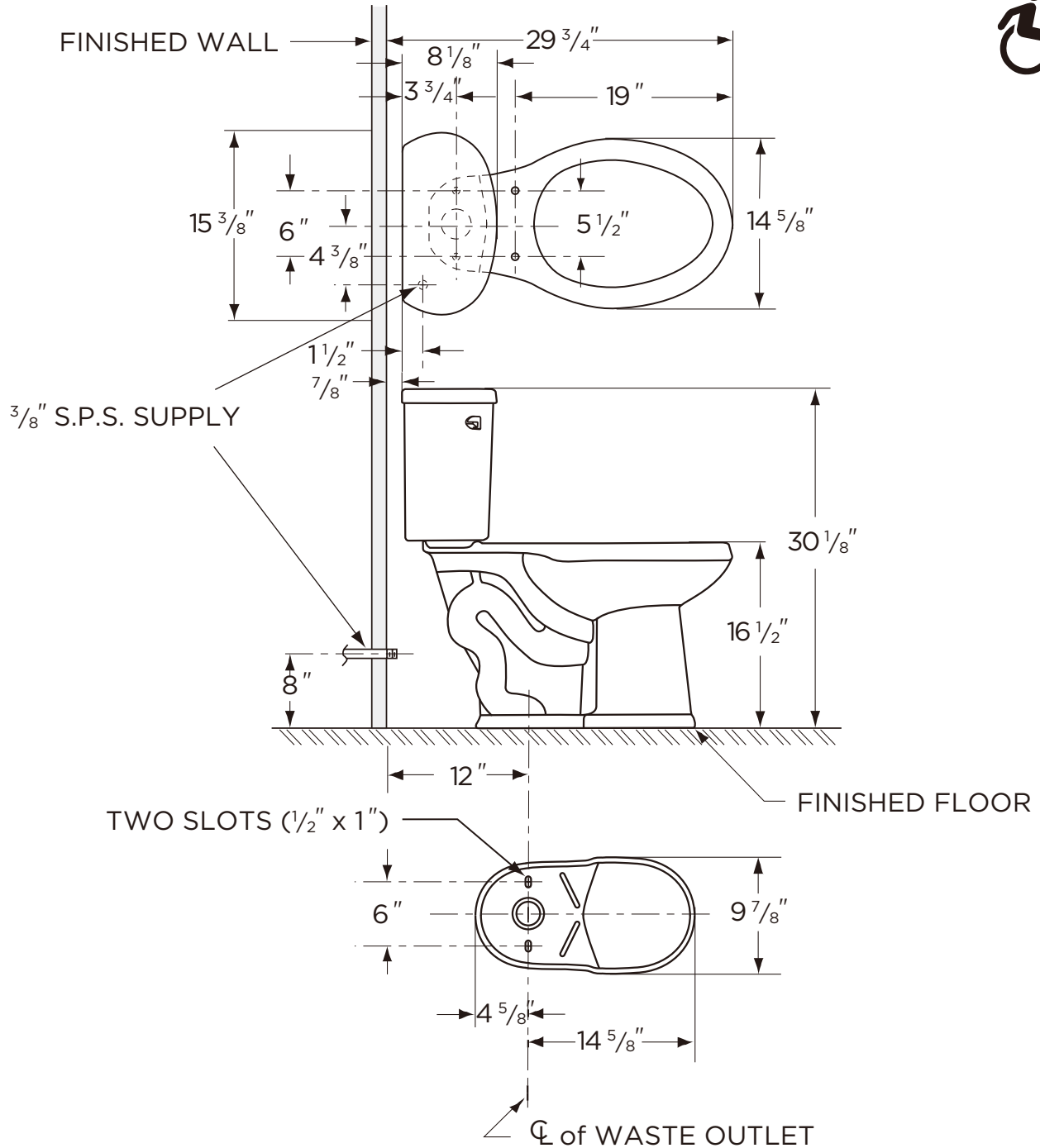
Job Name	
Date	
Model Specified	
Quantity	
Customer	
Contractor	
Architect/engineer	



1.6 gpf (6.0 Lpf) MAXWELL® LX TOILET

21-118

16 1/2" High Elongated, 12" Rough-in
(Bowl 21-128 with Tank 28-190)



NOTES:
All dimensions are in inches.

Illustrations may not be drawn to scale.

IMPORTANT:

Dimensions of fixtures are nominal and may vary within the range of tolerances established by ASME Standard A 112.19.2.

THIS FIXTURE QUALIFIES ACCORDING TO ASME TEST PROCEDURES AS A LOW CONSUMPTION WATER CLOSET WITH AN AVERAGE CONSUMPTION OF 1.6 gpf (6 Lpf) OR LESS.