



VITREOUS CHINA

TOILET
21-100

LAVATORIES

TOILETS

BIDETS / URINALS

CAST IRON

MAXWELL® LX Round Front Toilet

10" Rough-in

Features:

- 1.6 gpf (6.0 Lpf)
- Round Front Bowl
- Glazed Trapway
- Reverse Trap
- Front Jet Flushing Action
- Front Tank Lever
- Available in White
- 2 Bolt Caps

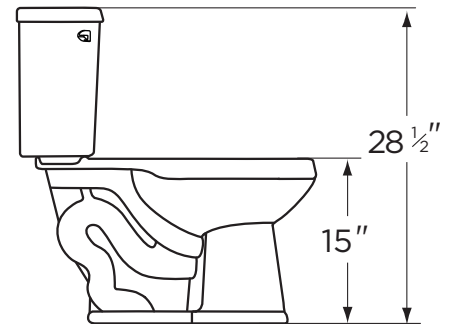
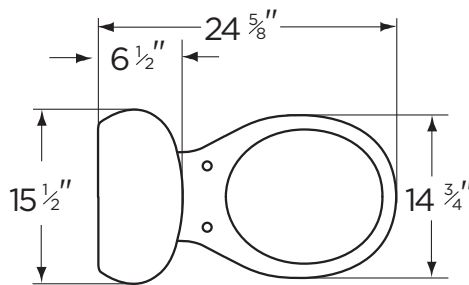
Dimensions:

Height 28 1/2"
 Width 15 1/2"
 Depth 24 5/8"
 Rough-in 10"
 Water Surface from Rim 5"
 Trapway 1 3/4"
 Water Surface 9 5/8" x 7 5/8"
 Water Seal 2 1/4"
 Shipping Weight 63.5 lbs



Specifications: Bowl—#21-152 Round Front
Seat not included

Tank—#28-195



THIS FIXTURE QUALIFIES ACCORDING TO ASME TEST PROCEDURES AS A WATER CLOSET WITH AN AVERAGE CONSUMPTION OF 1.6 gpf (6 Lpf) OR LESS.



www.gerberonline.com

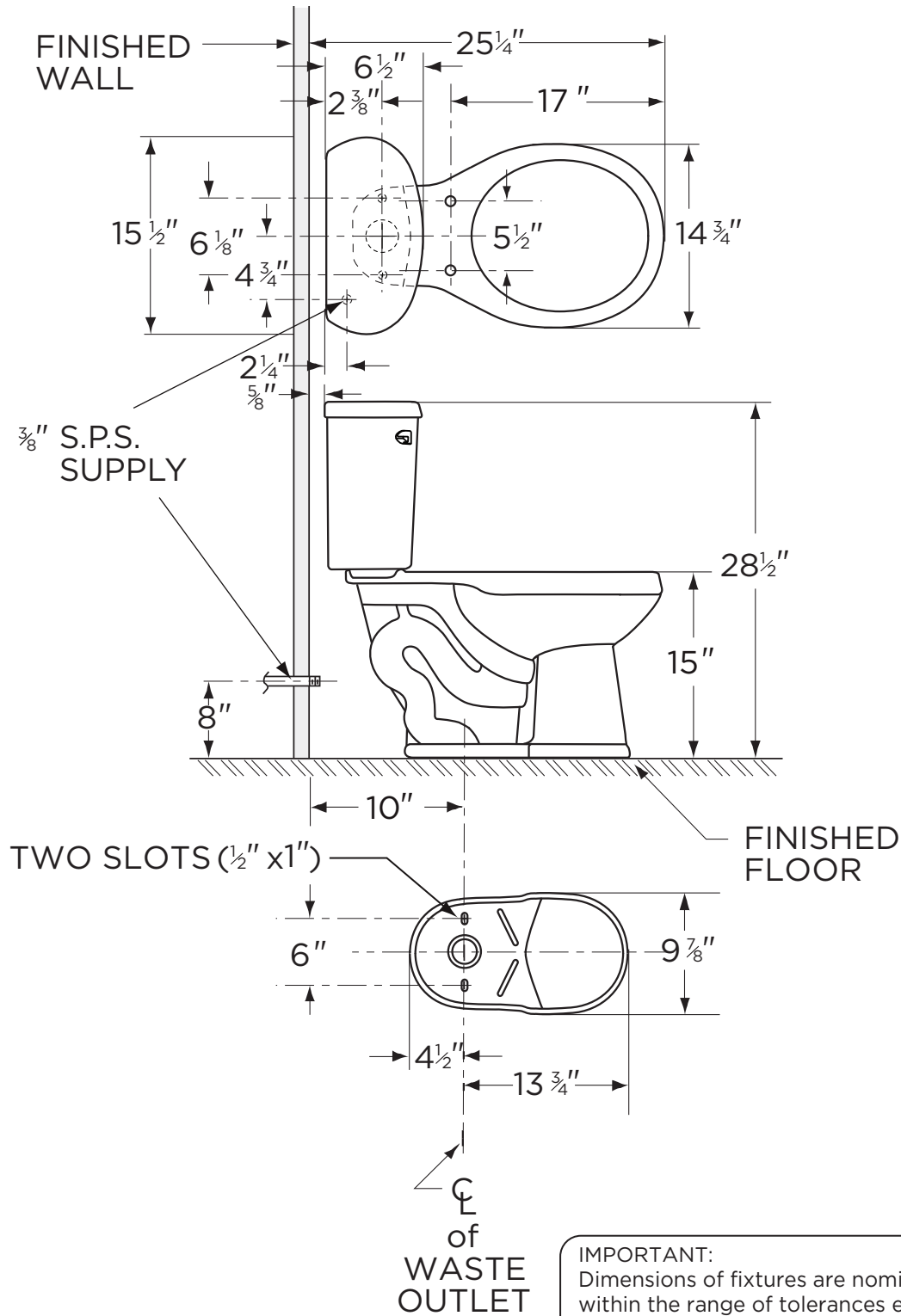
Job Name	
Date	
Model Specified	
Quantity	
Customer	
Contractor	
Architect/engineer	



1.6 gpf (6.0 Lpf) MAXWELL® LX TOILET

21-100

Round Front Toilet, 10" Rough-in
(Bowl 21-152 with Tank 28-195)



NOTES:
All dimensions are in inches.
Illustrations may not be drawn to scale.

IMPORTANT:
Dimensions of fixtures are nominal and may vary within the range of tolerances established by ASME Standard A 112.19.2.
THIS FIXTURE QUALIFIES ACCORDING TO ASME TEST PROCEDURES AS A WATER CLOSET WITH AN AVERAGE CONSUMPTION OF 1.6 gpf (6 Lpf) OR LESS.