



VITREOUS CHINA

TOILET
21-017

LAVATORIES

TOILETS

BIDETS / URINALS

CAST IRON

MAXWELL[®]
by GERBER.

12" Rough-in

One-Piece Elongated Toilet

Features:

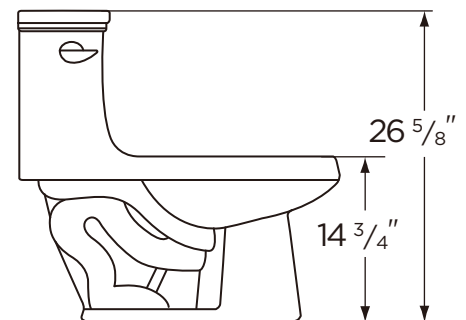
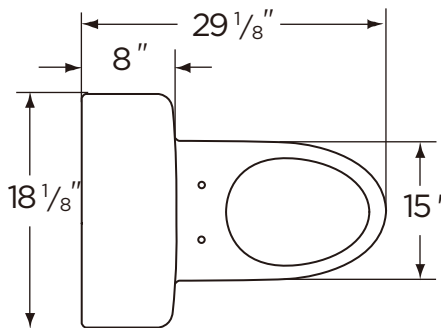
- 1.6 gpf (6.0 Lpf)
- Elongated Bowl
- Glazed Trapway
- Reverse Trap
- Front Jet Flushing Action
- Side Tank Lever
- White, Bone and Biscuit
- 2 Bolt Caps

Dimensions:

Height26 5/8"
 Width 18 1/8"
 Depth 29 1/8"
 Rough-in 12"
 Water Surface from Rim ... 5 3/8"
 Trapway2"
 Water Surface.....10 7/8" x 9 1/4"
 Water Seal 2 3/8"
 Shipping Weight95 lbs



Specifications: One-Piece Toilet
Seat not included



THIS FIXTURE QUALIFIES
 ACCORDING TO ASME TEST
 PROCEDURES AS A WATER CLOSET
 WITH AN AVERAGE CONSUMPTION
 OF 1.6 GAL. OR LESS.



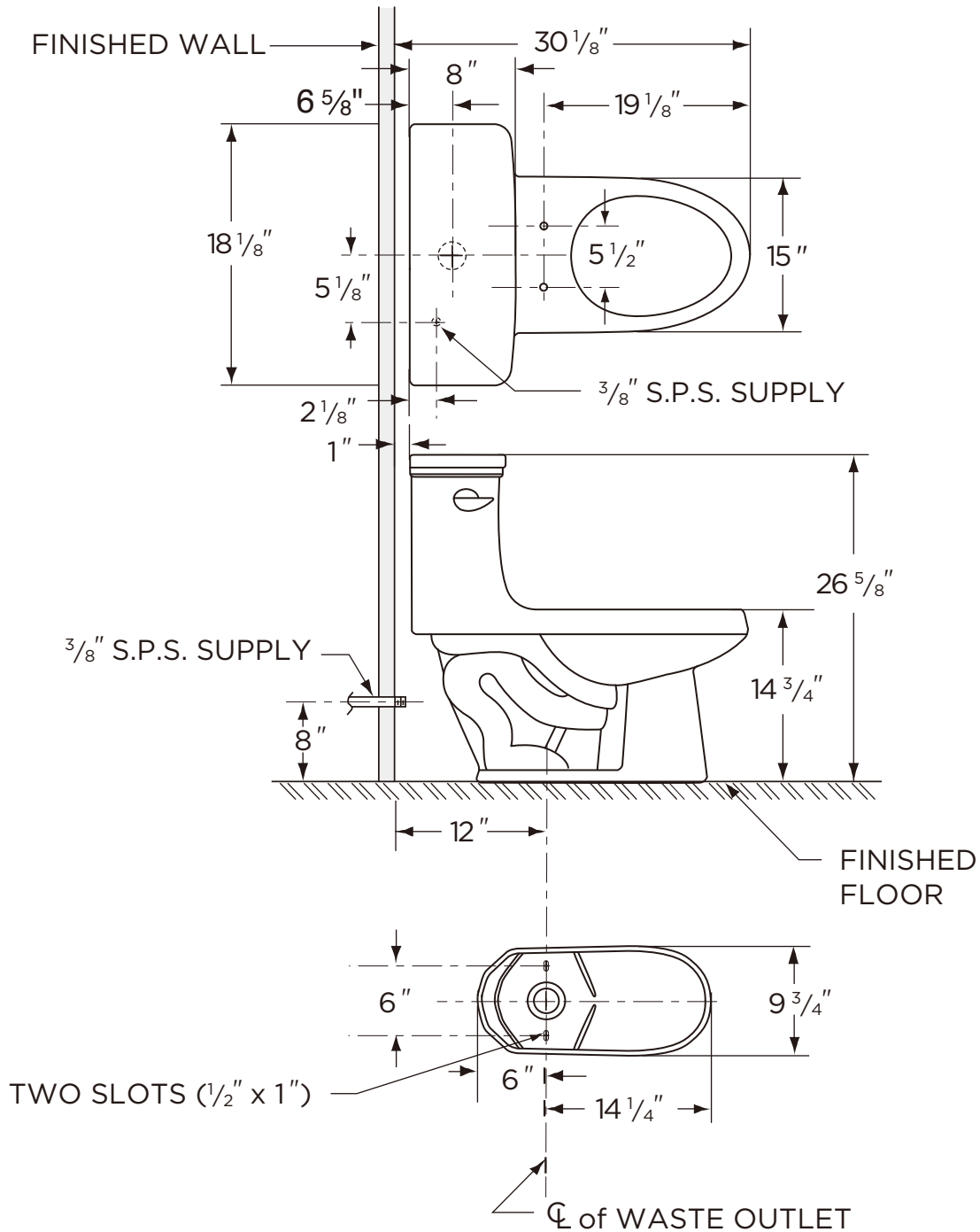
www.gerberonline.com

Job Name	
Date	
Model Specified	
Quantity	
Customer	
Contractor	
Architect/engineer	



1.6 gpf (6 Lpf) MAXWELL® TOILET

21-017
Elongated Toilet, 12" Rough-in
(One-Piece)



NOTES:
All dimensions are in inches.
Illustrations may not be drawn to scale.

IMPORTANT:
Dimensions of fixtures are nominal and may vary within the range of tolerances established by ASME Standard A 112.19.2.
THIS FIXTURE QUALIFIES ACCORDING TO ASME TEST PROCEDURES AS A WATER CLOSET WITH AN AVERAGE CONSUMPTION OF 1.6 GAL. OR LESS.