

### Features:

#### G0020312

Included Components:

- Combination      G0020312
  - Bowl                GUF21372
  - Tank                G0028380

- Vitreous China
- 12" Rough-In
- Flushmate Pressure Vessel included
- Extra-Large Dual fed siphon jets for high power bowl clearing
- 100% glazed, 2" large trapway for clog-free waste removal
- Double nut, multi-point tank-to-bowl mounting system for tool-free installation
- Chrome, metal tank lever
- Toilet seat is not included



### Technical Information:

|                      |                             |
|----------------------|-----------------------------|
| Configuration        | Two-piece, Elongated Toilet |
| Water per Flush      | 1.6 gpf (6.0 Lpf)           |
| Rough-In             | 12"                         |
| Height               | 28 7/8"                     |
| Width                | 20 1/8"                     |
| Depth                | 29 3/4"                     |
| Trapway              | 2"                          |
| Large Water Surface  | 8 11/16" x 6 5/16"          |
| Shipping weight Bowl | 51.2 lbs                    |
| Shipping weight Tank | 47.8 lbs                    |

### Accessories: (To be purchased separately)

- Slow Close Toilet Seat      G0099213
- Non-Slow Close Toilet Seat    G0099216

### Other Tank Options: (To be purchased separately)

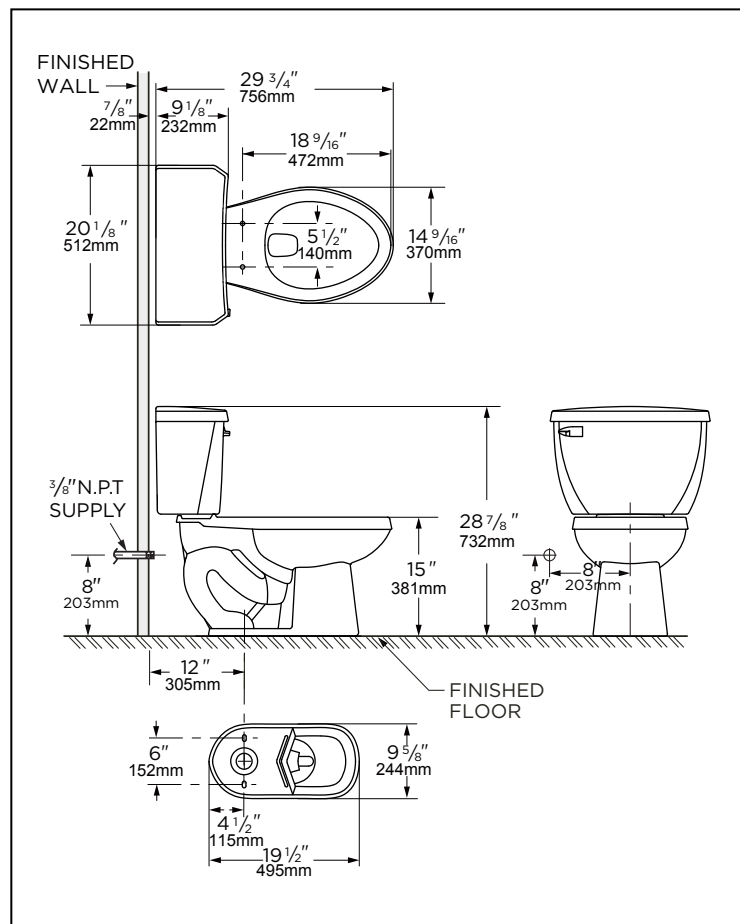
- Tank with Right Hand Lever    G002838097
- Tank with Lid Lock              G0028380LL

### Available Colors:

- White
- Other: Refer to Price Book for additional colors/finishes

### Warranty:

- Limited Lifetime on Vitreous China, refer to the website for more details.



**NOTES:** All dimensions are in inches and millimeters. Illustrations may not be drawn to scale.

#### IMPORTANT:

Dimensions of fixtures are nominal and may vary within the range of tolerances established by ASME standard A 112.19.2 THIS FIXTURE QUALIFIES ACCORDING TO ASME TEST PROCEDURES AS A LOW CONSUMPTION WATER CLOSET WITH AN AVERAGE CONSUMPTION OF 1.6 gpf (6.0 Lpf) OR LESS.