



VITREOUS CHINA

TOILET  
**20-018**

LAVATORIES

TOILETS

BIDETS / URINALS

CAST IRON



# LOGAN SQUARE™ ErgoHeight™ 17" High Elongated Toilet

12" Rough-in

### Features:

- 1.6 gpf (6.0 Lpf)
- ADA Elongated Bowl
- XP-3 Technology
- 3" Flush Valve
- Fluidmaster® Fill Valve
- Glazed Trapway
- Reverse Trap
- Dual Feed Jet
- Available in White and Biscuit
- Side Tank Lever
- 2 Bolt Caps

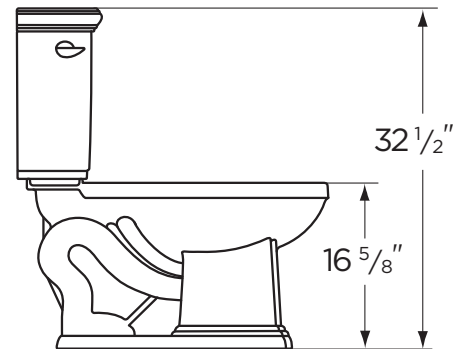
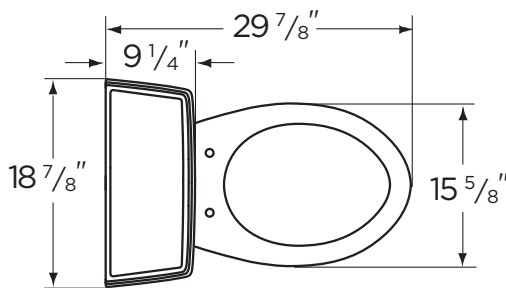


### Dimensions:

- Height.....32 1/2"
- Width.....18 7/8"
- Depth.....29 7/8"
- Rough-in .....12"
- Water Surface from Rim .... 5 1/8"
- Trapway.....2"
- Water Surface.....9 3/8" x 10 7/8"
- Water Seal..... 2 5/8"
- Shipping Weight ..... 96 lbs

**Specifications:** Bowl—#21-538 Elongated Bowl  
Seat not included

Tank—#28-530



THIS FIXTURE QUALIFIES ACCORDING TO ASME TEST PROCEDURES AS A WATER CLOSET WITH AN AVERAGE CONSUMPTION OF 1.6 GAL. OR LESS.



www.gerberonline.com

Job Name	
Date	
Model Specified	
Quantity	
Customer	
Contractor	
Architect/engineer	

