



VITREOUS CHINA

TOILET  
**20-008**

LAVATORIES

TOILETS

BIDETS / URINALS

CAST IRON

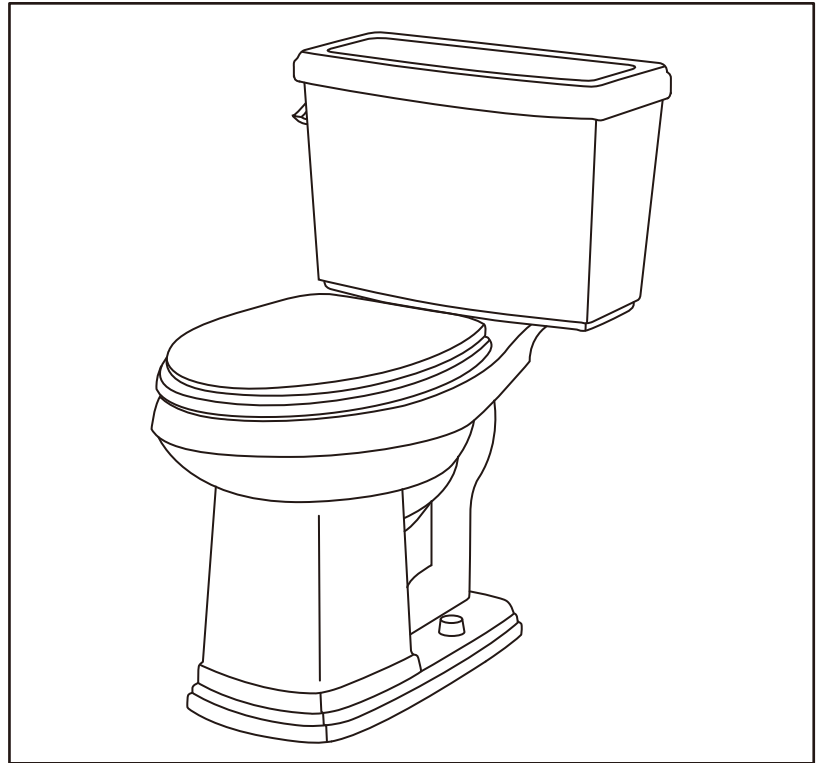


# ALLERTON™ SUITE ErgoHeight™ 17" High Elongated Toilet

10" Rough-in

### Features:

- 1.6 gpf (6.0 Lpf)
- Elongated Bowl
- Gerber HP-2 Technology
- Fluidmaster® Fill Valve
- Glazed Trapway
- Reverse Trap
- Dual Feed Jet
- White, Bone and Biscuit
- Side Tank Lever
- 2 Bolt Caps
- ADA Compliant

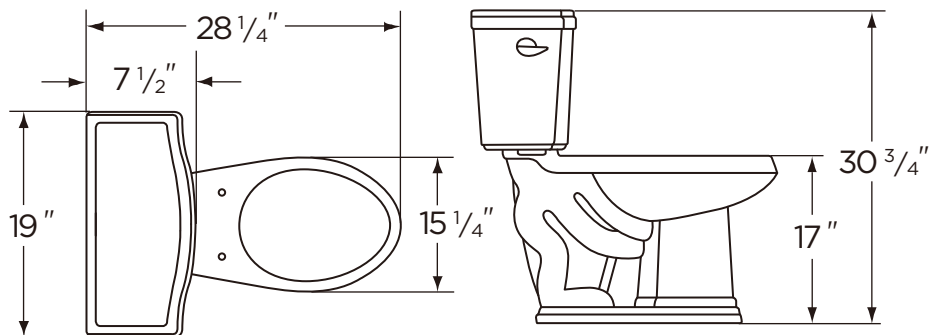


### Dimensions:

- Height..... 30 3/4"
- Width..... 19"
- Depth..... 28 1/4"
- Rough-in ..... 10"
- Water Surface from Rim ... 5 5/8"
- Trapway..... 2"
- Water Surface..... 11 1/8" x 8 7/8"
- Water Seal..... 2 3/8"
- Shipping Weight ..... 91 lbs

**Specifications:** Bowl—#21-577 Elongated Bowl  
Seat not included

Tank—#28-585



THIS FIXTURE QUALIFIES ACCORDING TO ASME TEST PROCEDURES AS A WATER CLOSET WITH AN AVERAGE CONSUMPTION OF 1.6 GAL. OR LESS.



www.gerberonline.com

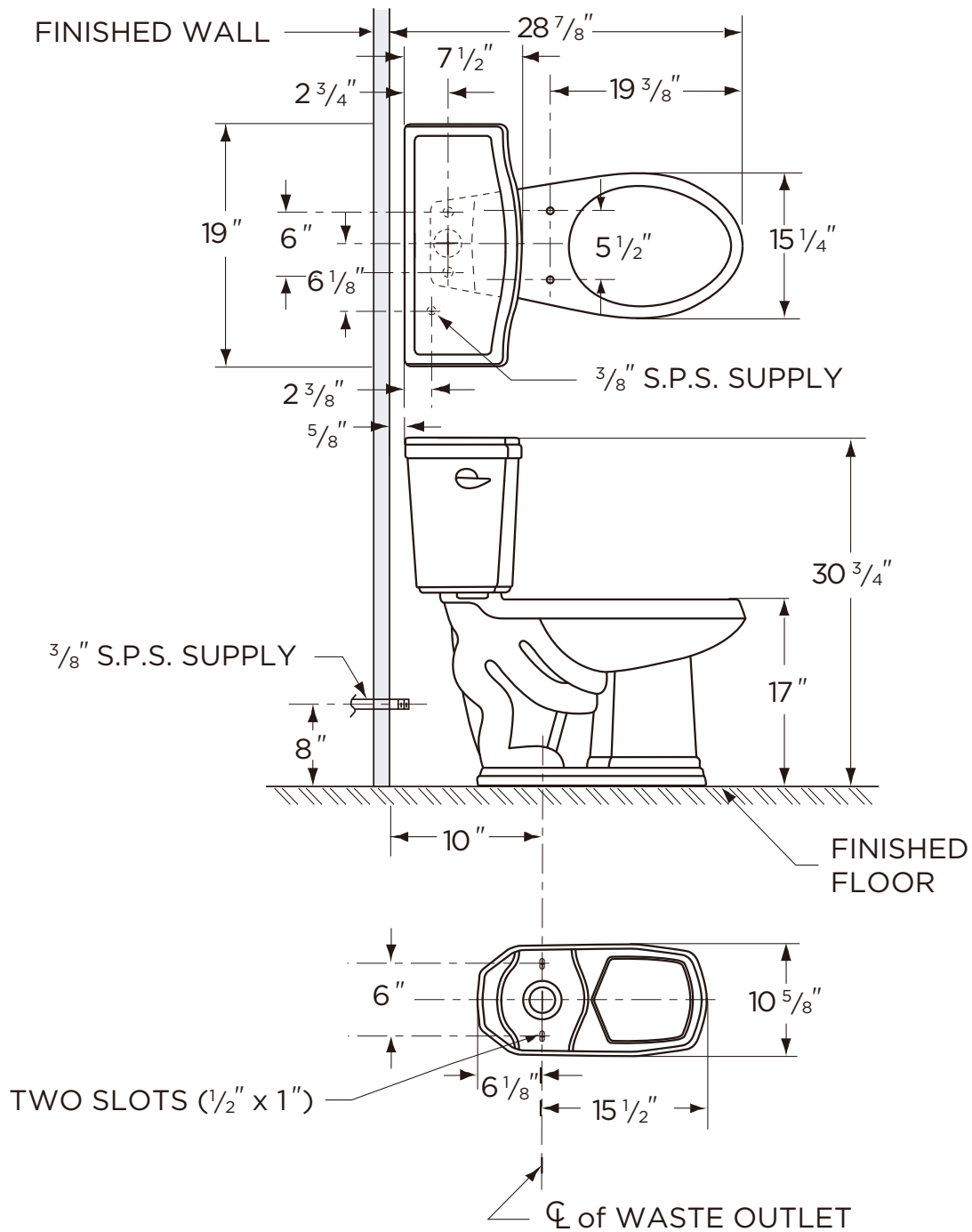
Job Name	
Date	
Model Specified	
Quantity	
Customer	
Contractor	
Architect/engineer	



# 1.6 gpf (6 Lpf) ALLERTON™ TOILET

20-008

17" High Elongated, 10" Rough-in  
(Bowl 21-577 with Tank 28-585)



NOTES:  
All dimensions are in inches.

Illustrations may not be drawn  
to scale.

**IMPORTANT:**

Dimensions of fixtures are nominal and may vary  
within the range of tolerances established by ASME  
Standard A 112.19.2.

THIS FIXTURE QUALIFIES ACCORDING TO ASME  
TEST PROCEDURES AS A WATER CLOSET WITH  
AN AVERAGE CONSUMPTION OF 1.6 GAL. OR LESS.