



VITREOUS CHINA

TOILET
20-007

LAVATORIES

TOILETS

BIDETS / URINALS

CAST IRON



ALLERTON™ SUITE ErgoHeight™ 17" High Elongated Toilet

12" Rough-in

Features:

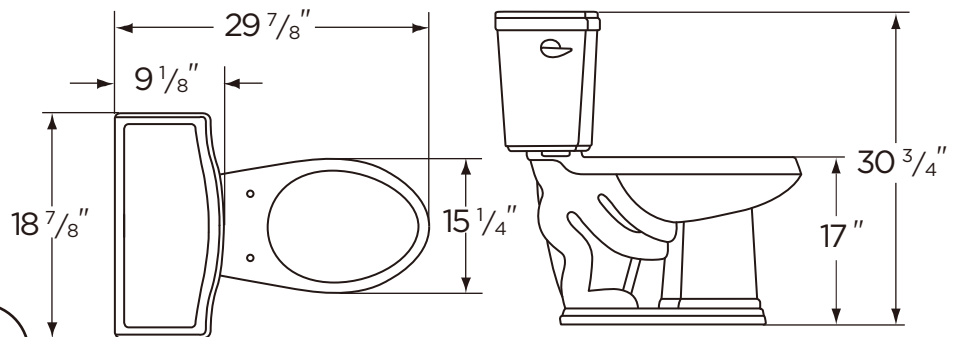
- 1.6 gpf (6.0 Lpf)
- Elongated Bowl
- Gerber HP-2 Technology
- Fluidmaster® Fill Valve
- Glazed Trapway
- Reverse Trap
- Dual Feed Jet
- White, Bone and Biscuit
- Side Tank Lever
- 2 Bolt Caps
- ADA Compliant



Dimensions:

- Height 30 3/4"
- Width 18 7/8"
- Depth 29 7/8"
- Rough-in 12"
- Water Surface from Rim ... 5 5/8"
- Trapway 2"
- Water Surface..... 11 1/8" x 8 7/8"
- Water Seal 2 3/8"
- Shipping Weight 91 lbs

Specifications: Bowl—#21-577 Elongated Bowl Tank—#28-580
Seat not included



THIS FIXTURE QUALIFIES ACCORDING TO ASME TEST PROCEDURES AS A WATER CLOSET WITH AN AVERAGE CONSUMPTION OF 1.6 GAL. OR LESS.



www.gerberonline.com

Job Name	
Date	
Model Specified	
Quantity	
Customer	
Contractor	
Architect/engineer	

