



VITREOUS CHINA

TOILET
20-005

LAVATORIES

TOILETS

BIDETS / URINALS

CAST IRON

ALLERTON™ SUITE Elongated Toilet

10" Rough-in

Features:

- 1.6 gpf (6.0 Lpf)
- Elongated Bowl
- Gerber HP-2 Technology
- Fluidmaster® Fill Valve
- Glazed Trapway
- Reverse Trap
- Dual Feed Jet
- Side Tank Lever
- White, Bone and Biscuit
- 2 Bolt Caps

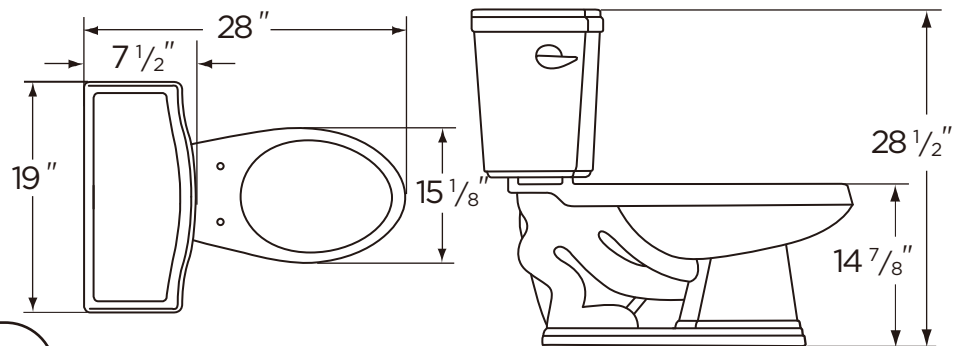


Dimensions:

- Height 28 1/2"
- Width 19"
- Depth 28"
- Rough-in 10"
- Water Surface from Rim ... 5 7/8"
- Trapway 2"
- Water Seal 11" x 9 3/8"
- Water Seal 2 3/8"
- Shipping Weight 78 lbs

Specifications: Bowl—#21-572 Elongated Bowl
Seat not included

Tank—#28-585



THIS FIXTURE QUALIFIES ACCORDING TO ASME TEST PROCEDURES AS A WATER CLOSET WITH AN AVERAGE CONSUMPTION OF 1.6 GAL. OR LESS.



www.gerberonline.com

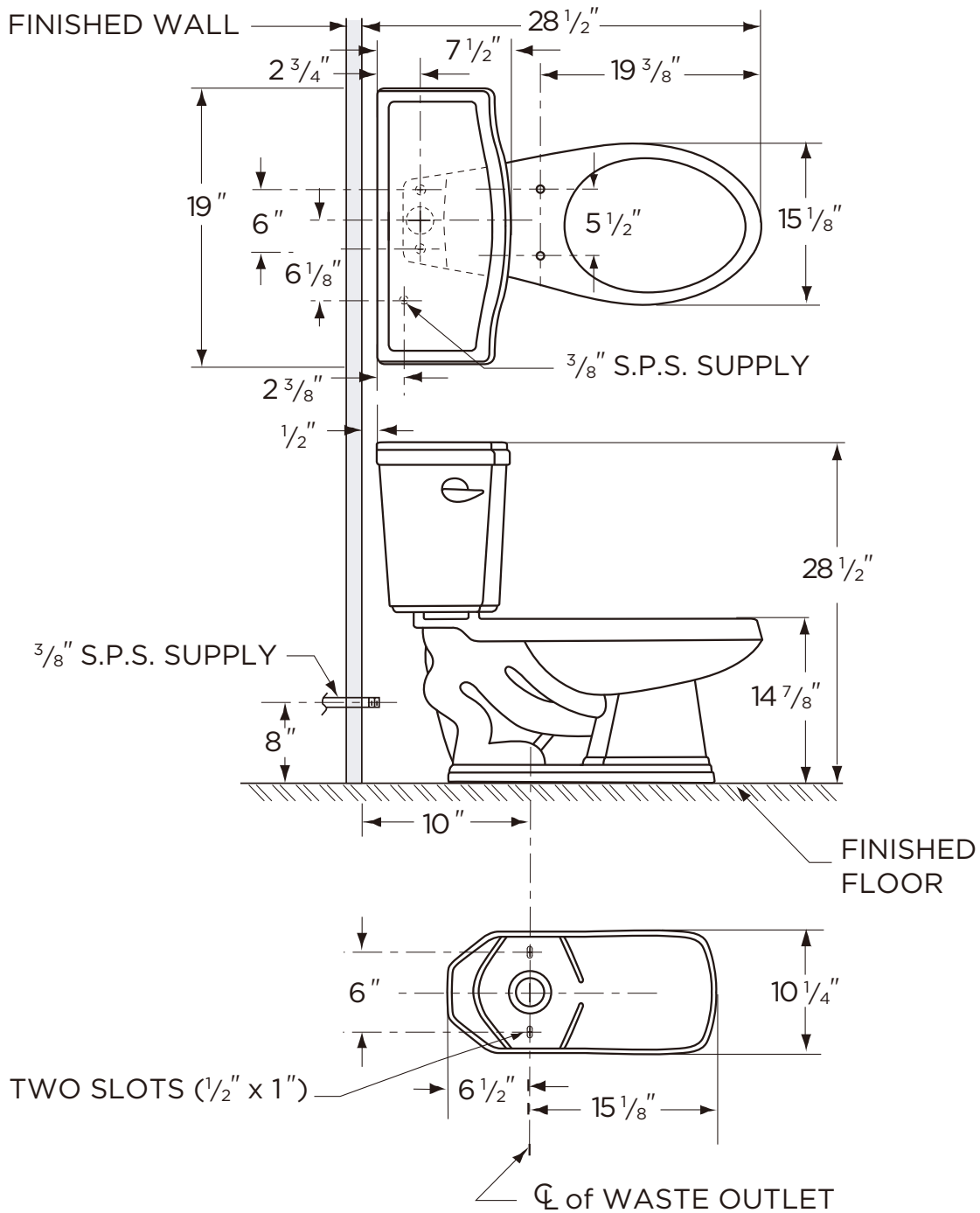
Job Name	
Date	
Model Specified	
Quantity	
Customer	
Contractor	
Architect/engineer	



1.6 gpf (6 Lpf) ALLERTON™ TOILET

20-005

Elongated Toilet, 10" Rough-in
(Bowl 21-572 with Tank 28-585)



NOTES:
All dimensions are in inches.
Illustrations may not be drawn to scale.

IMPORTANT:
Dimensions of fixtures are nominal and may vary within the range of tolerances established by ASME Standard A 112.19.2.
THIS FIXTURE QUALIFIES ACCORDING TO ASME TEST PROCEDURES AS A WATER CLOSET WITH AN AVERAGE CONSUMPTION OF 1.6 GAL. OR LESS.