



VITREOUS CHINA

TOILET  
**20-004**

LAVATORIES

TOILETS

BIDETS / URINALS

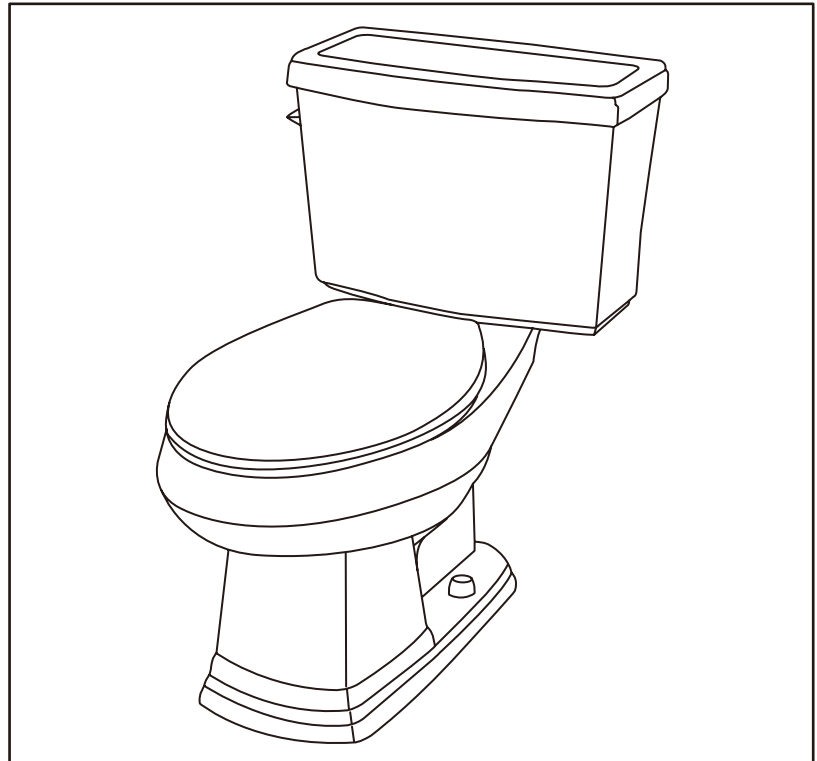
CAST IRON

# ALLERTON™ SUITE Elongated Toilet

12" Rough-in

### Features:

- 1.6 gpf (6.0 Lpf)
- Elongated Bowl
- Gerber HP-2 Technology
- Fluidmaster® Fill Valve
- Glazed Trapway
- Reverse Trap
- Dual Feed Jet
- Side Tank Lever
- White, Bone and Biscuit
- 2 Bolt Caps

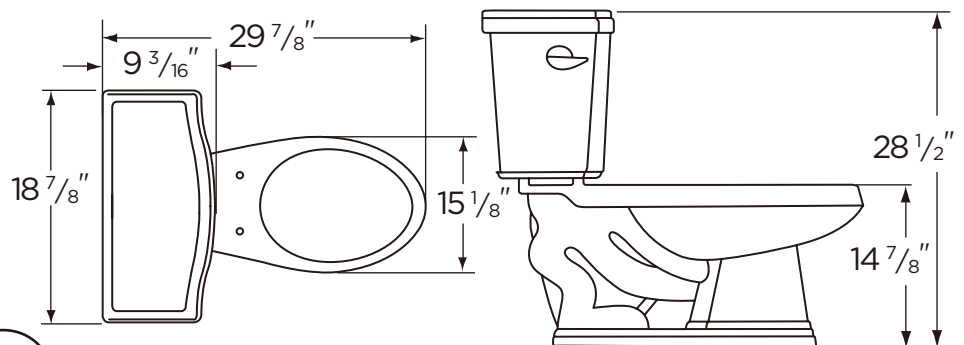


### Dimensions:

- Height ..... 28 1/2"
- Width ..... 18 7/8"
- Depth ..... 29 7/8"
- Rough-in ..... 12"
- Water Surface from Rim ... 5 7/8"
- Trapway ..... 2"
- Water Surface ..... 11" x 9 3/8"
- Water Seal ..... 2 3/8"
- Shipping Weight ..... 84 lbs

**Specifications:** Bowl—#21-572 Elongated  
Seat not included

Tank—#28-580



THIS FIXTURE QUALIFIES ACCORDING TO ASME TEST PROCEDURES AS A WATER CLOSET WITH AN AVERAGE CONSUMPTION OF 1.6 GAL. OR LESS.



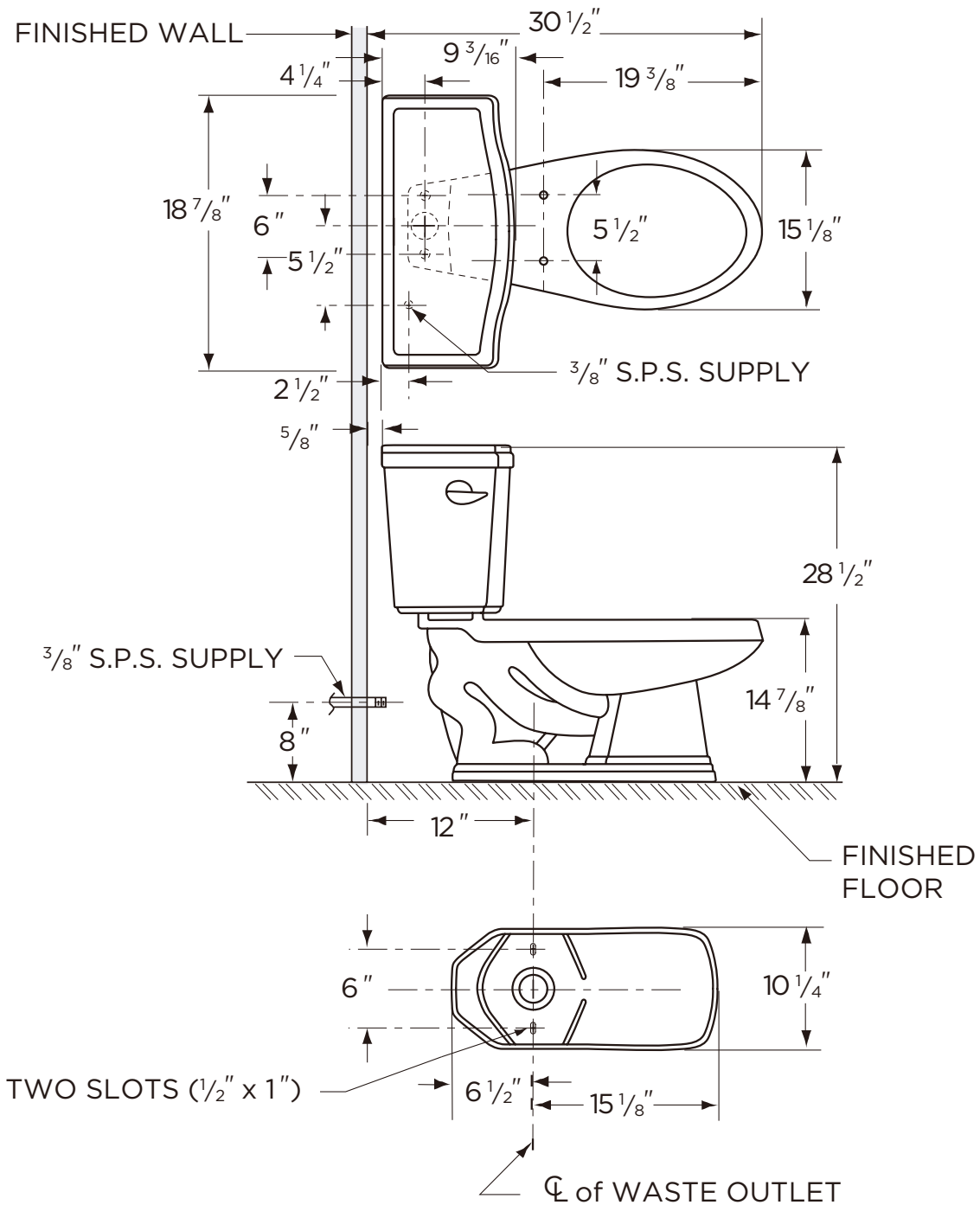
[www.gerberonline.com](http://www.gerberonline.com)

Job Name	
Date	
Model Specified	
Quantity	
Customer	
Contractor	
Architect/engineer	



# 1.6 gpf (6 Lpf) ALLERTON™ TOILET

20-004  
Elongated Toilet, 12" Rough-in  
(Bowl 21-572 with Tank 28-580)



NOTES:  
All dimensions are in inches.  
Illustrations may not be drawn to scale.

IMPORTANT:  
Dimensions of fixtures are nominal and may vary within the range of tolerances established by ASME Standard A 112.19.2.  
THIS FIXTURE QUALIFIES ACCORDING TO ASME TEST PROCEDURES AS A WATER CLOSET WITH AN AVERAGE CONSUMPTION OF 1.6 GAL. OR LESS.