



CAST IRON

SERVICE SINK
12-920 / 12-928

LAVATORIES

TOILETS

BIDETS / URINALS

CAST IRON

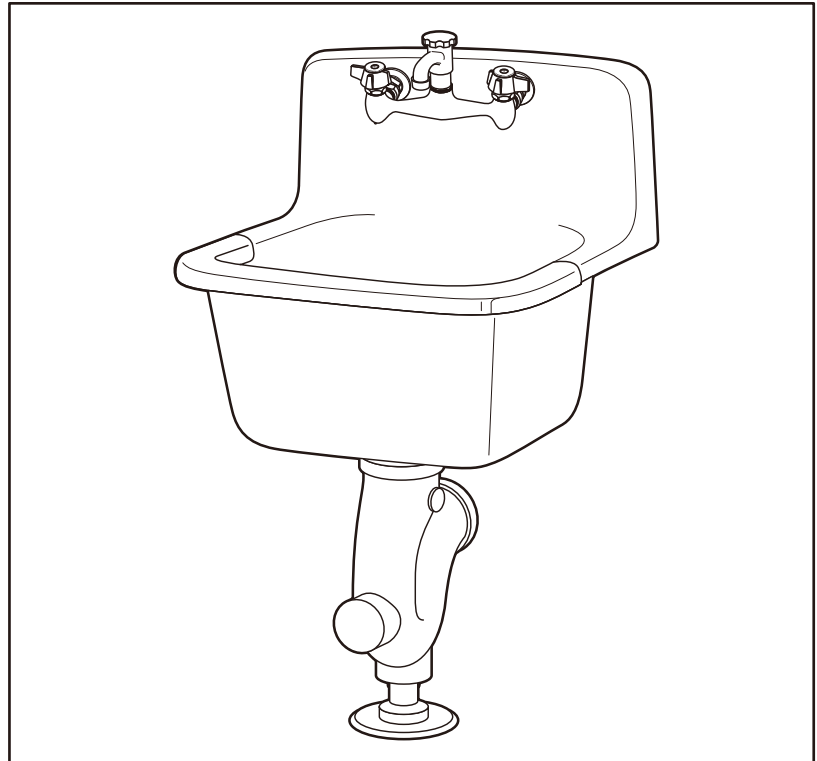
CAST IRON Service Sink

Features:

- Durable Cast Iron
- Wall Hung Service Sink
- Stainless Steel Rim Guard
- No Drilling on Back Splash (12-920)
- 8" Drilling on Back Splash (12-928)
- Compatible with 2" or 3" Cast Iron Drain (to be purchased separately)
- Includes Wall Hangar and Mounting Hardware

Dimensions:

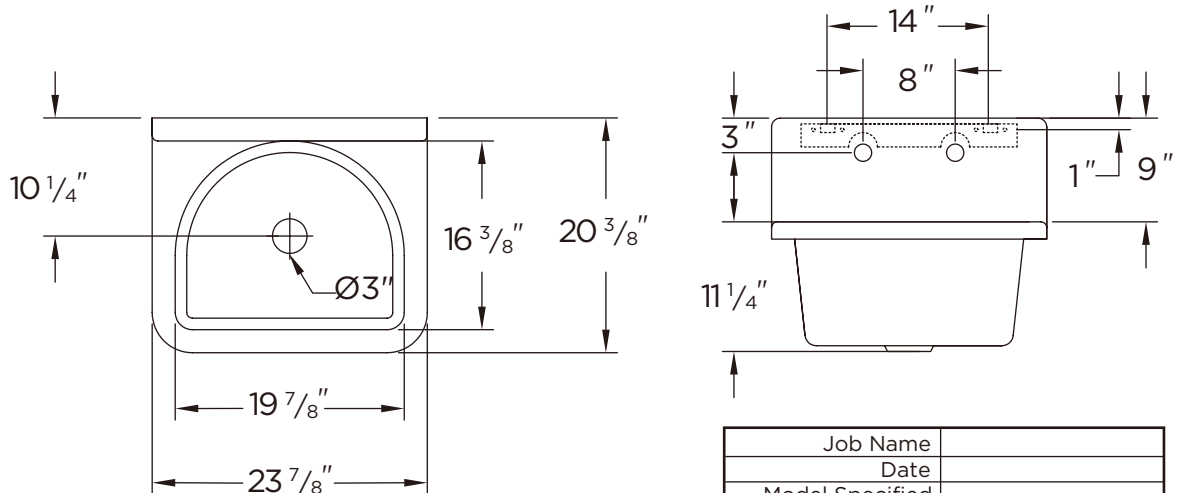
Height 20 1/4"
 Width 23 7/8"
 Depth 20 3/8"
 Back Splash Height..... 9"



Accessory:

- 99-182** Replacement Wall Hanger
(see dimensions on back side)
- 99-184** Replacement Stainless Steel
Rim Guard 24"

Specifications: Cast Iron Service Sink
 Catalog # 12-928 Shown With C4-44-644 Faucet,
 12-902 Trap Standard and 99-184 Steel Rim Guard



Job Name	
Date	
Model Specified	
Quantity	
Customer	
Contractor	
Architect/engineer	

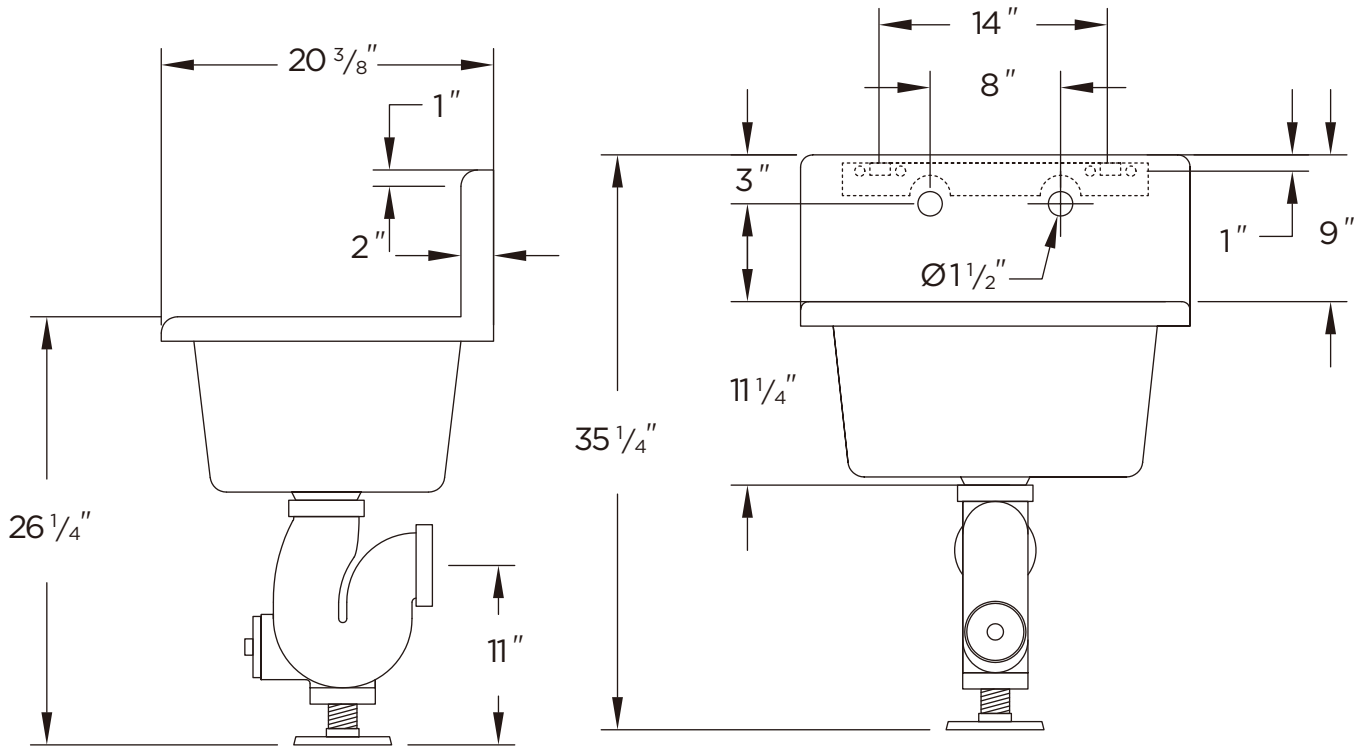


www.gerberonline.com

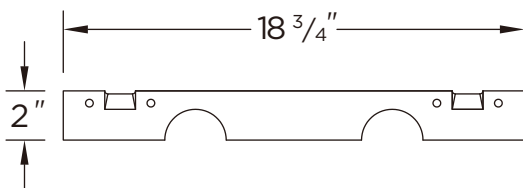


CAST IRON

12-920 / 12-928
Service Sink



Wall Hanger (99-182):



NOTES:

All dimensions are in inches.

Illustrations may not be drawn to scale.

IMPORTANT:

Dimensions of fixtures are nominal and may vary within the range of tolerances established by ASME Standard A 112.19.2.