

GERBER®

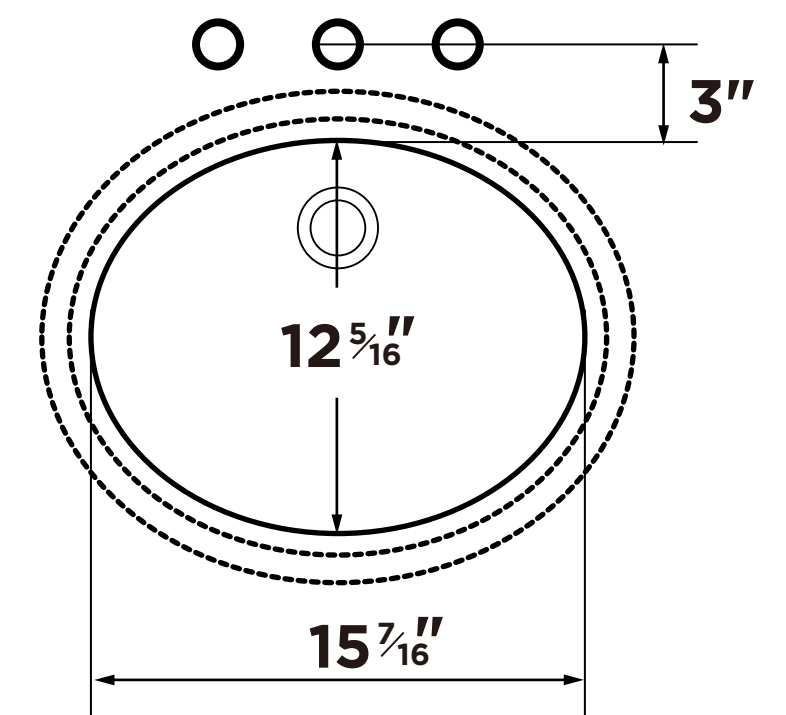
**INSTRUCTIONS FOR MOUNTING
NO. 12-770-F LAVATORY***

1. MARK CENTER LINES FOR LOCATION OF LAVATORY IN SLAB OR COUNTER TOP.
2. CUT OUT TEMPLATE AND WITH CENTER LINE ARROWS AS A GUIDE, TRACE LINE ON COUNTER TOP.
3. CUT OPENING IN COUNTER TOP CAREFULLY, FOLLOWING PENCIL LINE YOU TRACED.
4. MOUNT LAVATORY TO UNDERSIDE OF COUNTER TOP, LOCATING AS PER DIMENSIONAL DRAWING ON RIGHT. GERBER ANCHOR KIT #99-190 IS AVAILABLE TO SUPPORT THIS MOUNTING.
5. DIMENSIONAL DRAWING ON RIGHT INDICATES THE SUGGESTED DRILLING FOR WIDESPREAD COMBINATION LAVATORY FAUCETS RELATIVE TO THE CUT-OUT. CHECK DIMENSIONS OF INTENDED FAUCET BEFORE DRILLING.

BROKEN LINE REPRESENTS
LAVATORY RIM WHEN SET

*NOTE: DUE TO SLIGHT DIMENSIONAL VARIATIONS WE RECOMMEND USING LAVATORY AS A TEMPLATE TO INSURE PROPER ALIGNMENT OF UNDER COUNTER INSTALLATION.

CUT OUT UNDERCOUNTER ALONG SOLID LINE



A8CGE0030-GEG1, REV.08-2018
THIS TEMPLATE IS FOR 12-770-F LAVATORY