


SPECIFICATIONS

Features/Benefits



- Diverter on Valve
- Requires Gerber Treysta® Rough-In, G00GS555S (Horizontal Inputs) or G00GS557S (Vertical Inputs), Sold Separately
- Includes Treysta® Ceramic Disc Pressure Balance Cartridge
- Includes Parma® 4 1/2" 5 Function Showerhead, D460064 (1.75 gpm) or D460055 (2.0 gpm)
- 1.75 gpm (6.6 L/min) Max Flow @ 80 psi (D511058TC)
- 2.0 gpm (7.6 L/min) Max Flow @ 80 psi (D512058TC)
- 6" Metal Shower Arm
- 6 1/2" Tub Spout, D606558
- Finish-Matched Deep Wall Kit, D113001, Sold Separately
- Finish-Matched Shallow Wall Kit, GA663B11, Sold Separately

Available Color/Finishes

Color	Description
	Chrome

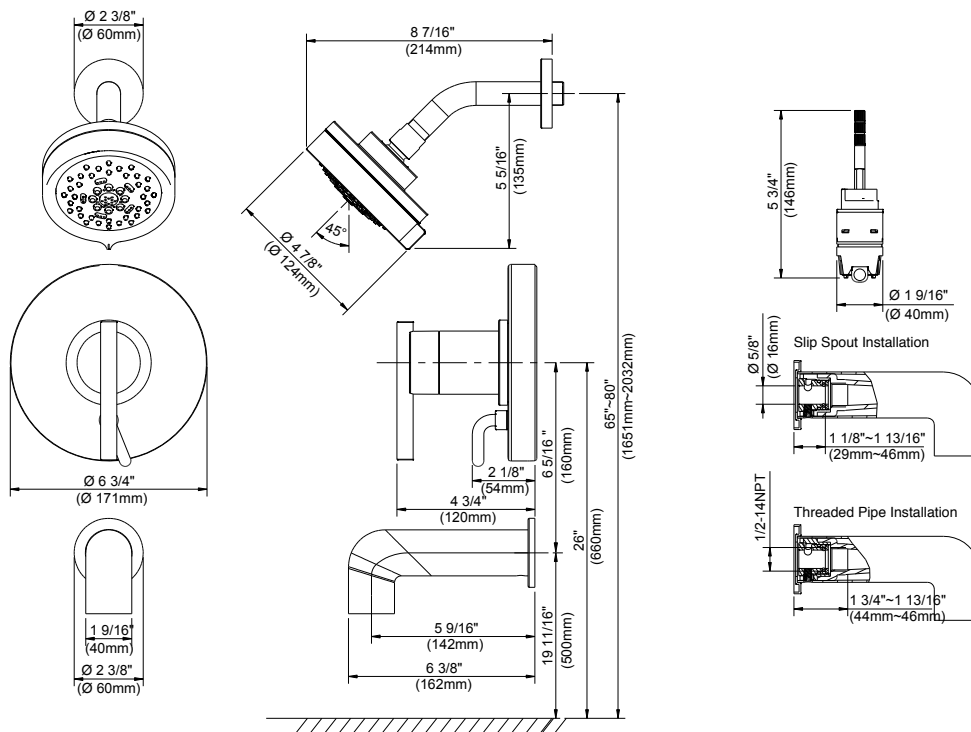
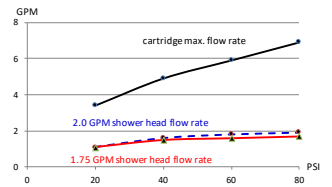
Please see gerberonline.com or current price list for available finishes. Finish is defined by additional suffix.

Standards & Certifications



(Lever Handle)

Flow Rate



Submittal Information:

Name: _____ Contractor: _____
 Location: _____ Contact #: _____