

## SHOWER ACCESSORIES

### Description

- All extension shower arms increase the range of the showerhead
- All metal construction

### Warranty

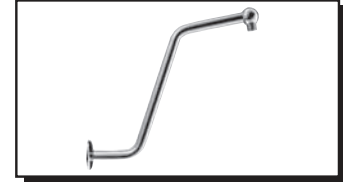
Danze products are covered by a manufacturer's limited "lifetime" warranty for manufacturing defects.



D481144 - 15" SIRIUS™ shower arm

#### Available Colors & Finish

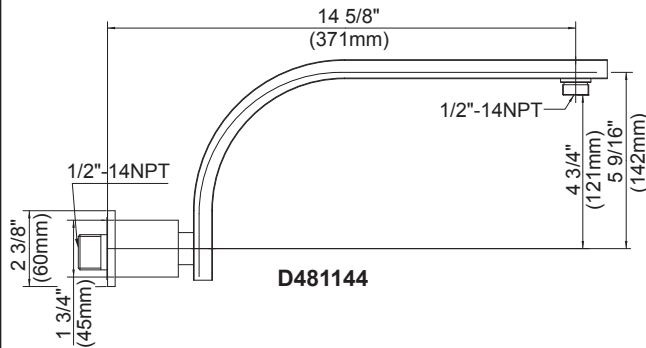
- Chrome
- Brushed Nickel (BN)



D481116 - 13" S shape shower arm

#### Available Colors & Finish

- Chrome
- Brushed Nickel (BN)
- Polished Brass (PBV)
- Oil Rub Bronze (RB)



D481144



D481027 - 15" right angle shower arm

#### D481027 Available in :

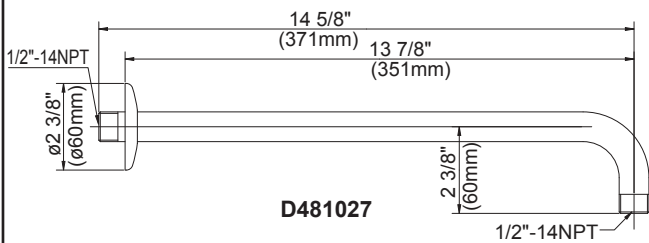
- Chrome
- Brushed Nickel (BN)
- Polished Brass (PBV)
- Oil Rub Bronze (RB)



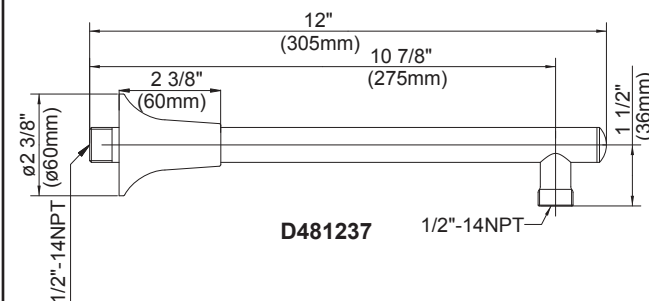
D481237 - 12" J shape shower arm

#### Available Colors & Finish

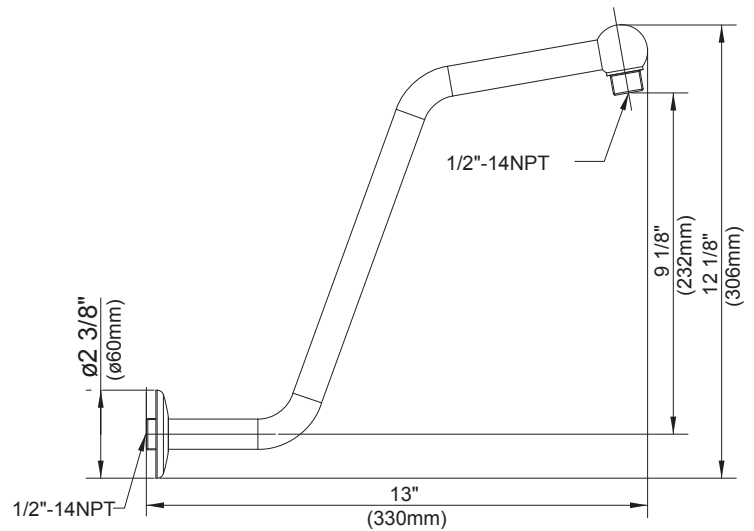
- Chrome
- Brushed Nickel (BN)



D481027



D481237



hhD481116

Specific Features: \_\_\_\_\_ Submitted Model No.: \_\_\_\_\_