


## SPECIFICATIONS

### Features/Benefits

- 1.5 gpm (5.7 L/min) Max Flow @ 80 psi (D460065)
- 1.75 gpm (6.6 L/min) Max Flow @ 80 psi (D460064)
- 2.0 gpm (7.6 L/min) Max Flow @ 80 psi (D460055)
- 5 Functions: Wide, Centerjet, Aeration, Massage and Wide + Centerjet
- Brass Ball Joint with Polymer Shell
- Air Injection™ Technology
- Dual Valve™ Technology Optimizes Water Flow
- Easy-Glide™ Selector Ring
- Easy Clean Nozzles



### Available Color/Finishes

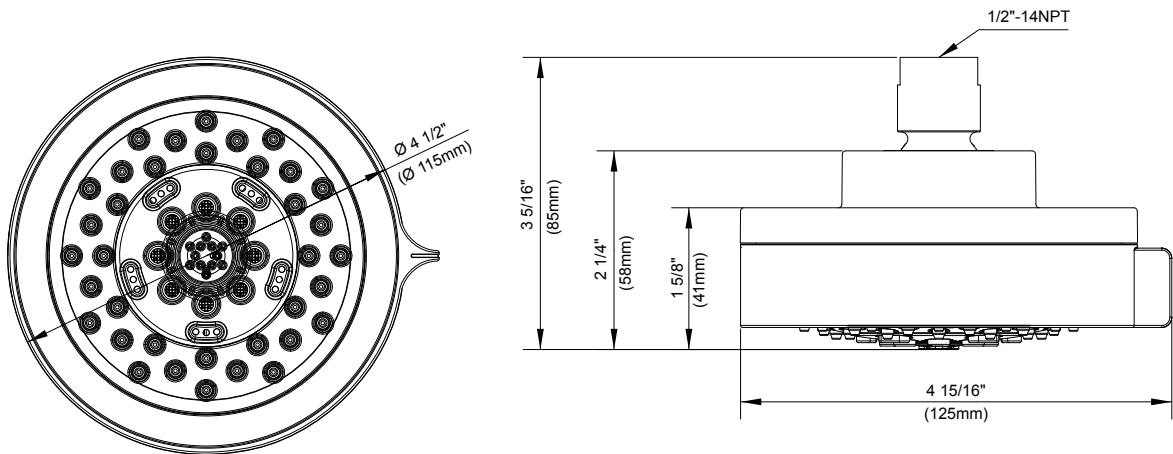
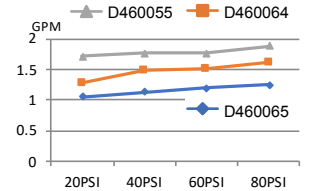
Color	Description
	Chrome

Please see [gerberonline.com](http://gerberonline.com) or current price list for available finishes. Finish is defined by additional suffix.

### Standards & Certifications



### Flow Rate



### Submittal Information:

Name: \_\_\_\_\_ Contractor: \_\_\_\_\_  
 Location: \_\_\_\_\_ Contact #: \_\_\_\_\_