

SPECIFICATIONS



Features/Benefits

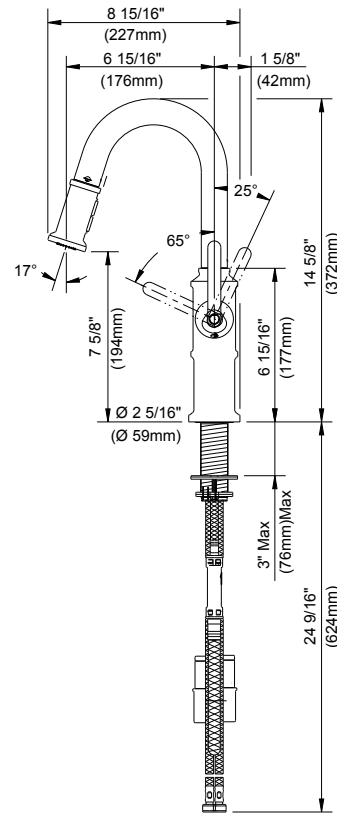
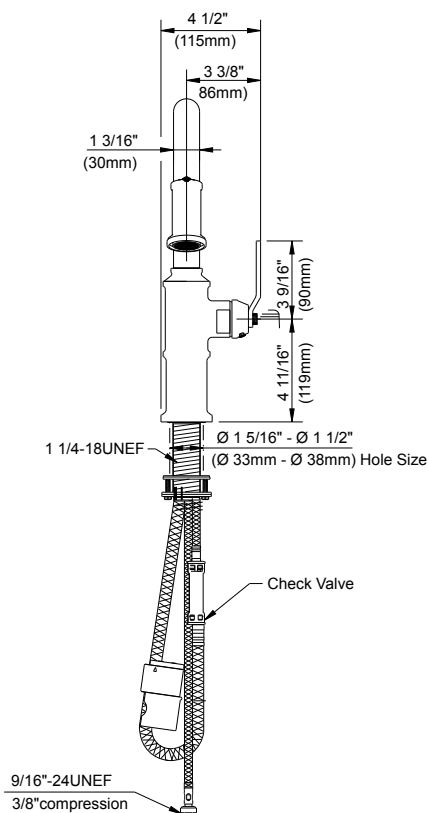
- SnapBack® Retraction System
- Easily Adjustable GripLock® Weight
- 14 5/8" Spout Height, 6 15/16" Spout Reach
- 1.75gpm (6.6 L/min) Standard Using GA56880475N Spray Head
- Alternative Flow Rates Available with Spray / Aerated Water Stream
 - 1.5 gpm (5.7 L/min) When Used with GA56804752N Spray Head
- 2 Function Spray / Aerated Stream
- Ceramic Disc Cartridge
- 360 Degree Swivel Spout
- Single Hole Installation
- Optional Deck Plates, DA667229(4") or DA665051(8"), Sold Separately for 3 Hole Applications

Available Color/Finishes

Chrome

Please see gerberonline.com or current price list for available finishes. Finish is defined by additional suffix.

Standards & Certifications



Submittal Information:

Name: _____
 Location: _____

Contractor: _____
 Contact #: _____